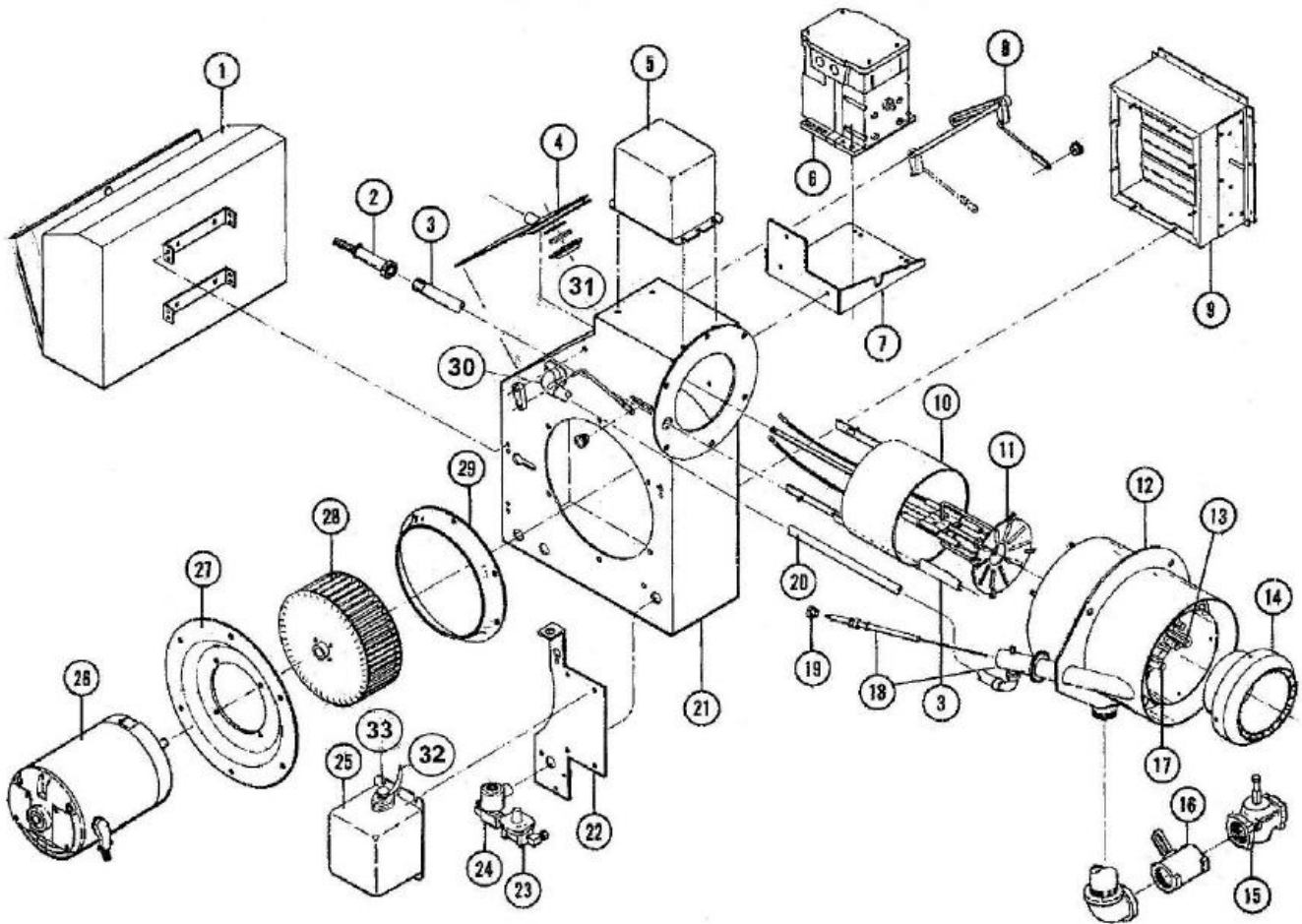


TYPICAL S10 or S12 GAS-OIL BURNER

This breakdown may be used to help identify parts on your burner. However, since GP burners were "built to order" based on the application, the order entry form and material list may be required to identify certain parts.



TYPICAL S10 or S12 GAS-OIL BURNER

This breakdown may be used to help identify parts on your burner. However, since GP burners were "built to order" based on the application, the order entry form and material list may be required to identify certain parts.

#	Description	Gordon-Piatt Part Number or Details
1	Control Cabinet	C
2	Flame Detector	A
3	Flame Detector Tube	907000-6213
4	Back Plate Assembly	B
5	Oil Ignition Transformer (if used)	A
6	Modulating Motor	A - Part number should be located on the modulating motor
7	Modulating Motor Bracket	060799-0000
8	Air Cylinder Linkage	A, B
9	Air Inlet Assembly	B
10	Primary Air Cylinder	A, B
11	Oil Drawer Assembly	A
	Air Diffuser	NA – We do not have drawings or tooling to produce more air diffusers
	Oil Nozzle	A
	Oil Nozzle Adapter	A
	Oil Ignition Electrodes (if used)	A
	Main Fuel Tube	C
	Ignition Cables for Oil (if used)	A
12	Combustion Head	A – Many combustion heads have a sticker with the 10 digit part number
13	Primary Gas Orifices	A – The orifice part number and drill size are located on the order entry & material list
14	Swirler	A, B
15	Leak Test Valve	A
16	Butterfly Gas Valve	A – The most common ones are online at http://gordonpiattparts.com/parts_burners_gp_gas-valves.htm
17	Secondary Gas Orifices	A – The orifice part number and drill size are located on the order entry & material list
18	Gas Pilot Assembly	A – The most common ones are online at http://gordonpiattparts.com/parts_burners_gp_pilots.htm
19	Packing Nut	230032-0000 - Included with the purchase of an electrode
20	Pilot Air Tube	620014-0000 - Specify length
21	Burner Housing	B
22	Transformer Mounting Bracket	060023-0000
23	Pilot Gas Pressure Regulator	A
24	Pilot Solenoid Valve	A
25	Pilot Ignition Transformer	A
26	Blower Motor	A – Need part number, or motor info (HP, voltage, frame, ect)
27	Motor Mounting Plate	B
28	Blower Wheel	A – Need p/n or dimensions. Pictures online at http://gordonpiattparts.com/parts_burners_gp_wheels.htm
29	Air Inlet Cone	B
30	Air Scoop	C – Included with air flow switch conversion kit
31	Lens Assembly	A
32	Gas Pilot Ignition Cable	120018-1040 – Specify Length
33	Transformer Knob	010192-0010

Legend:

A – Part varies depending on application.

* See the order entry form and material list that was shipped with the burner

* Check to see if part number is listed on the part itself

* Go to www.gordonpiattparts.com and look in the replacement parts section for a part that matches the one you have

B – Part can be fabricated, but a sample part or detailed dimensions may be required

C – Call for more information

NA – Part is not available

Cici Boiler Rooms, Inc.
Toll-Free Phone: 1-800-848-8197
www.gordonpiattparts.com