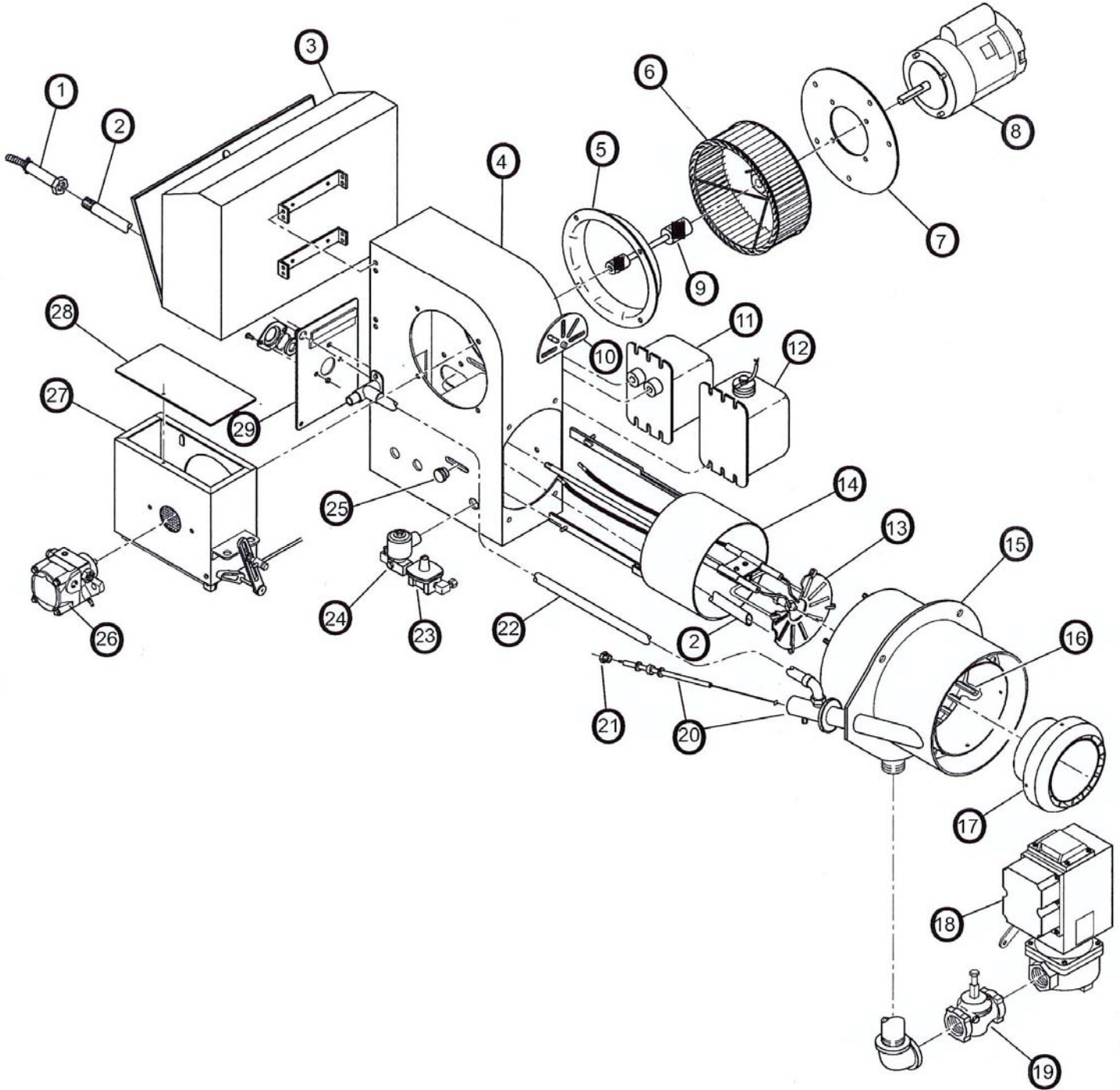


TYPICAL R6 or R8 GAS-OIL BURNER

This breakdown may be used to help identify parts on your burner. However, since GP burners were "built to order" based on the application, the order entry form and material list may be required to identify certain parts.



TYPICAL R6 or R8 GAS-OIL BURNER

This breakdown may be used to help identify parts on your burner. However, since GP burners were "built to order" based on the application, the order entry form and material list may be required to identify certain parts.

#	Description	Gordon-Piatt Part Number or Details
1	Flame Detector	A
2	Flame Detector Tube	C
3	Control Cabinet	C
4	Burner Housing	C
5	Air Inlet Cone	C
6	Blower Wheel	A - Need p/n or dimensions. Pictures online at http://gordonpiattparts.com/parts_burners_gp_wheels.htm
7	Motor Mounting Plate	C
8	Blower Motor	A - Need part number, or motor info (HP, voltage, frame, etc)
9	Oil Pump Coupling	A - Need part number, or end piece casting numbers and dimensions
10	Linkage Control Quadrant	050784-0000
11	Oil Ignition Transformer (if used)	A
12	Gas Pilot Ignition Transformer	A
13	Oil Drawer Assembly	A
	Air Diffuser	NA – We do not have drawings or tooling to produce more air diffusers
	Oil Nozzle	A
	Oil Nozzle Adapter	A
	Oil Ignition Electrodes (if used)	A
	Main Fuel Tube	C
	Ignition Cables for Oil (if used)	A
14	Primary Air Cylinder	B
15	Combustion Head	A – Many combustion heads have a sticker with the 10 digit part number
16	Gas Orifices	A – The orifice part number and drill size are located on the order entry & material list
17	Swirler (if used)	A
18	Motorized Gas Valve	A
19	Leak Test Valve	A
20	Gas Pilot Assembly	A – The most common ones are online at http://gordonpiattparts.com/parts_burners_gp_pilots.htm
21	Packing Nut	230032-0000 - Included with the purchase of an electrode
22	Pilot Air Tube	C
23	Pilot Gas Pressure Regulator	A
24	Pilot Solenoid Valve	A
25	Primary Air Positioning Knob	C
26	Oil Pump	A
27	Air Inlet Assembly	B
	Air Louver	B
	Air Louver Spring	010689-0000
	Oil Cylinder Mounting Bracket	B
	Louver Actuator Arm	B
	Air Inlet Guard	B
28	Air Inlet Box Cover	B
29	Back Plate Assembly	C

Legend:

A – Part varies depending on application.

* See the order entry form and material list that was shipped with the burner

* Check to see if part number is listed on the part itself

* Go to www.gordonpiattparts.com and look in the replacement parts section for a part that matches the one you have

B – Part can be fabricated, but a sample part or detailed dimensions may be required

C – Call for more information

NA – Part is not available

Cici Boiler Rooms, Inc.
Toll-Free Phone: 1-800-848-8197
www.gordonpiattparts.com