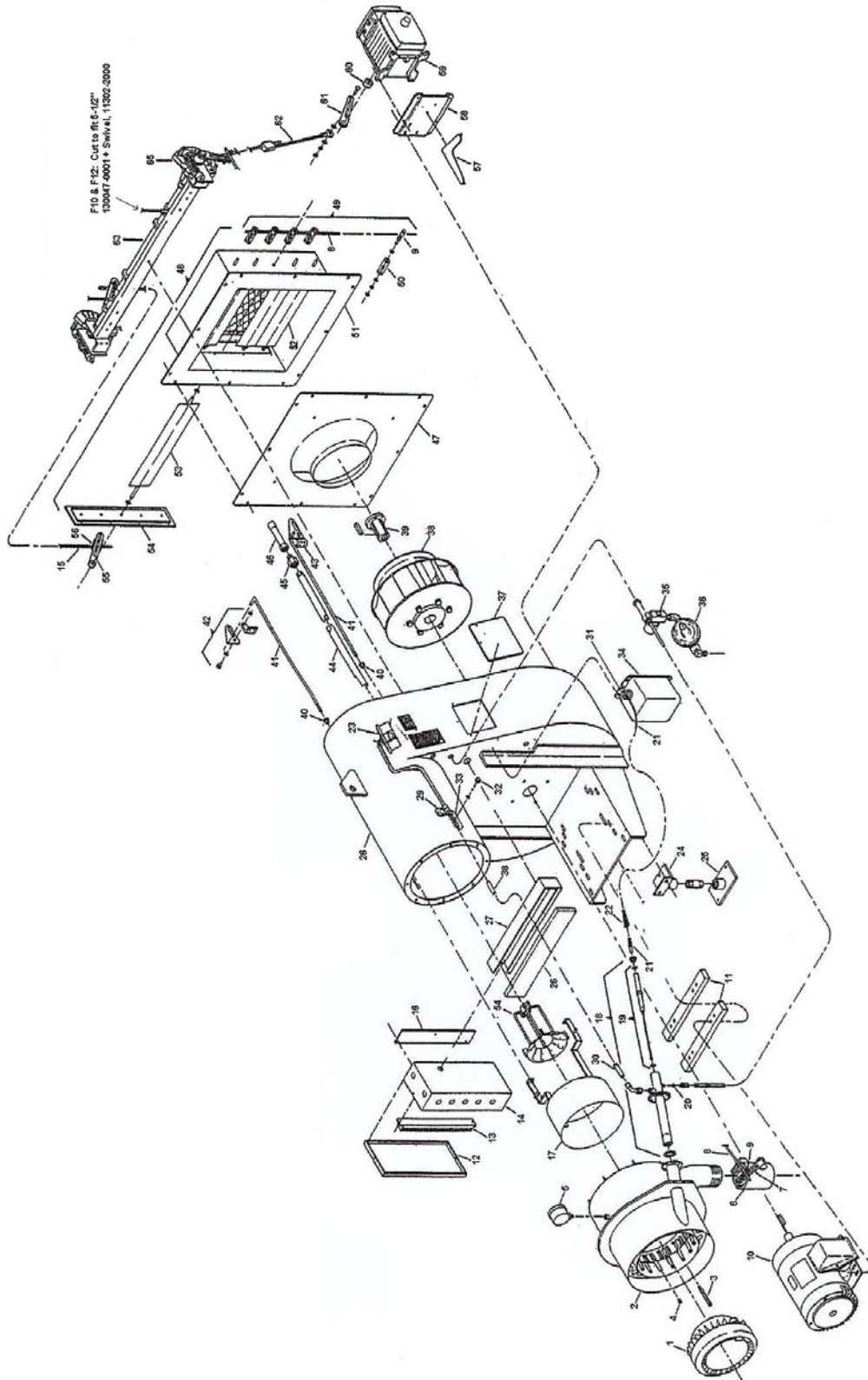


TYPICAL F GAS-OIL BURNER

This breakdown may be used to help identify parts on your burner. However, since GP burners were "built to order" based on the application, the order entry form and material list may be required to identify certain parts.



Cici Boiler Rooms, Inc.
Toll-Free Phone: 1-800-848-8197
www.gordonpiattparts.com

TYPICAL F GAS-OIL BURNER

This breakdown may be used to help identify parts on your burner. However, since GP burners were "built to order" based on the application, the order entry form and material list may be required to identify certain parts.

#	Description	Gordon-Piatt Part Number or Details
1	Swirler	A, B
2	Combustion Head	A – Many combustion heads have a sticker with the 10 digit part number
3	Primary Gas Orifices	A – The orifice part number and drill size are located on the order entry & material list
4	Secondary Gas Orifices	A – The orifice part number and drill size are located on the order entry & material list
5	Gas Pressure Gauge	A
6	Butterfly Gas Valve	A – The most common ones are online at http://gordonpiattparts.com/parts_burners_gp_gas-valves.htm
7	Linkage Arm – Gas Valve	010039-0010
8	Linkage Rod	A, B
9	Ball Joint Connector	110301-3000
10	Blower Motor	A – Need part number, or motor info (HP, voltage, frame, ect)
11	Spacer – Electric Motor	905002-6300
12	Cover – Junction Box	140008-1000
13	Terminal Strip	A
14	Junction Box	180006-1000
15	Linkage Rod	130102-0004
16	Spacer – Junction Box	240037-0000
17	Primary-Secondary Air Sleeve	A, B
18	Pilot Gas Assembly	919000-0700 for 5.5" Nose Head, 919000-0702 for 12" Nose Head, or 919000-1000 for 17" Nose Head
19	Gas Ignition Electrode	921000-3500 for 5.5" Nose Head, 921000-3510 for 12" Nose Head, or 921000-3520 for 17" Nose Head
20	Pilot Orifice (if used)	A
21	Ignition Wire	120026-1000
22	Pilot Boot	010750-0010
23	Air Flow Switch (non mercury)	322207-0020 – If upgrading from a mercury one a conversion kit will also be required
24	Support – Burner Housing	060208-0000
25	Support – Burner	060006-0000
26	Cover – Wiring Channel	A, B
27	Wiring Channel	A, B
29	Pilot Air Supply Fitting	160037-0000
30	Pilot Air Supply Tube	620014-0000 (3")
31	Transformer Knob	010192-0010
32	Knob – Primary Air Sleeve	911900-0068
33	Primary Air Position Scale	090110-0000 (Left), 090109-0000 (Right)
34	Gas Pilot Ignition Transformer	324201-0020
35	Gas Pilot Solenoid Valve	935900-1364
36	Gas Pilot Regulator	350101-0399
37	Access Plate	050026-0000
38	Blower Wheel	A, Note: Forward curve fans are available, but all backward curve wheels are no longer available
39	Split Taper Bushing	NA
40	Primary Air Sleeve Bushing	200001-0000
41	Linkage Rod	A, B
42	Linkage Arm	A, B
43	Linkage Arm	A, B
44	Sight Tube	907000-6213
45	Adapter, Flame Scanner	010212-0000
46	Flame Scanner	A
47	Air Inlet Cone	A, B
48	Louver Box Assembly	B
49	Louver Linkage Assembly	B
50	Linkage Arm	010041-0004
51	Air Inlet Box Housing	B
52	Air Inlet Louver	B
53	Air Inlet Driver	B
54	Louver Access Plate	B
55	Linkage Arm	010039-0004

TYPICAL F GAS-OIL BURNER

This breakdown may be used to help identify parts on your burner. However, since GP burners were "built to order" based on the application, the order entry form and material list may be required to identify certain parts.

56	Keeper	060372-0000
57	Mounting Braker, Mod. Motor	060709-0000
58	Bracket, Mod Motor	060582-0000
59	Modulating Motor	A
60	Hub	010065-0000
61	Linkage Arm	240206-0000
62	Drive Arm Assembly	A, B
63	Jackshaft Assembly	A, B
64	Air Diffuser	NA – We do not have the drawings or tooling to make more diffusers
65	Cam Assembly	901008-5500

Legend:

A – Part varies depending on application.

* See the order entry form and material list that was shipped with the burner

* Check to see if part number is listed on the part itself

* Go to www.gordonpiattparts.com and look in the replacement parts section for a part that matches the one you have

B – Part can be fabricated, but a sample part or detailed dimensions may be required

C – Call for more information

NA – Part is not available

901008-5500: CAM ASSEMBLY
Includes: Flexible Metal Roller Band & Adjustment Screws

110013-0000: HOLD ON SCREWS

ADJUSTMENT SCREWS
Part of Cam Assembly

901007-7000: FLEXIBLE METAL ROLLER BAND
Part of Cam Assembly

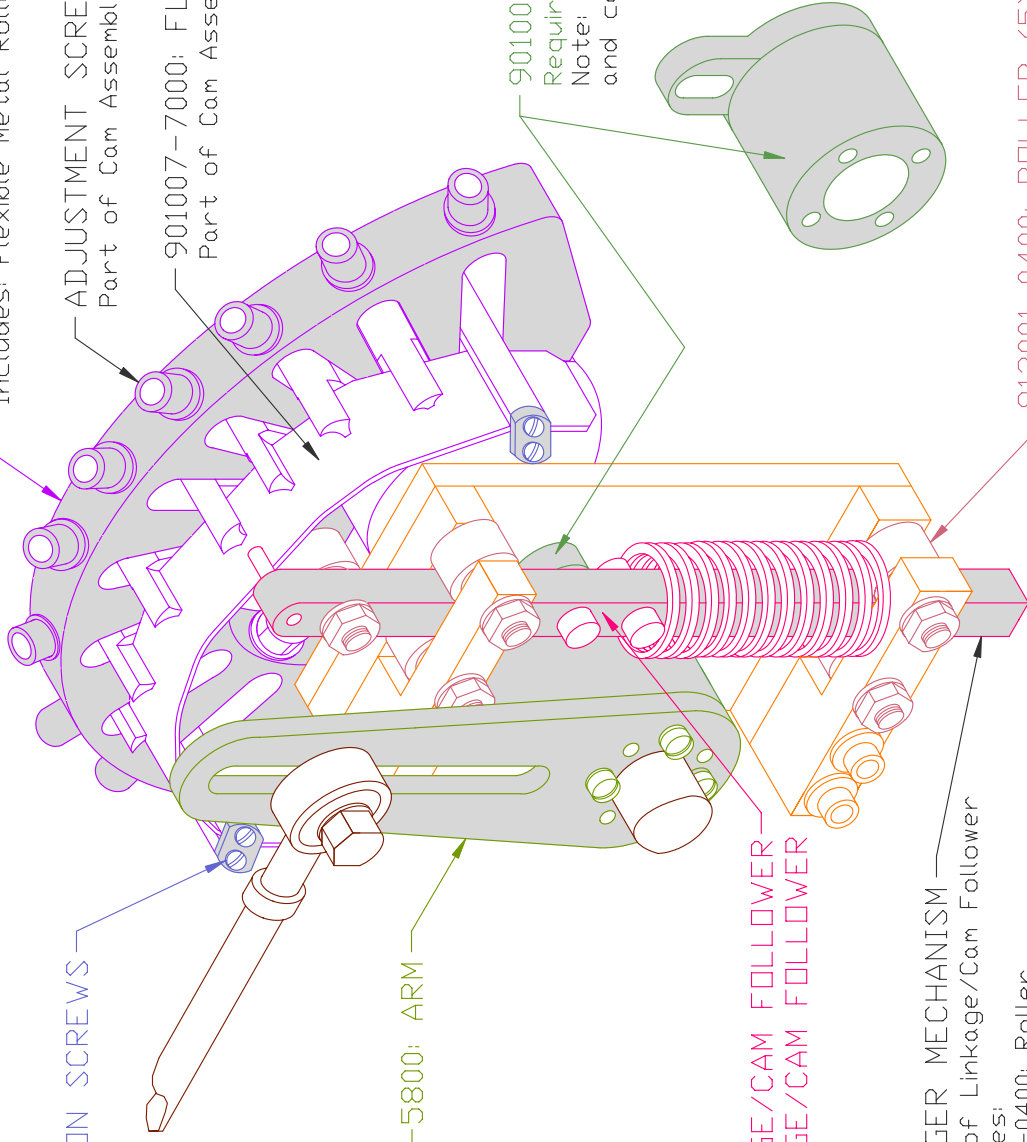
901006-5800: ARM

901007-6700: ARM FOLLOWER
Requires Bearing 130510-1000
Note: This part goes on the Jackshaft and connects to Cam Assembly.

924004-3000: OIL LINKAGE/CAM FOLLOWER
924004-3100: GAS LINKAGE/CAM FOLLOWER

PLUNGER MECHANISM
Part of Linkage/Cam Follower
Includes:
913001-0400: Roller
913000-6400: Spring Rod
110254-0308: Dowel Pin (2)

913001-0400: ROLLER (5)



DWN.BY: SMB 12-15-05

CHK.BY:

UNLESS OTHERWISE SPECIFIED
DIMENSIONS ARE IN INCHES
AND TOLERANCES ARE:
.XX .XXX
0.03 0.010
ANGLES
1/2°

FINISH: NONE

DO NOT SCALE DRAWING

JOHN ZINK COMPANY, LLC
Gordon-Piatt®

PART SCALE : 1.000 = 1.000

PLOT SCALE : 0.500 = 1.000

CHARACTERIZED LINKAGE
(TYPICAL)

MATERIAL DESC. & MAT'L P/N

CHAR LKGE

PART NUMBER

REV

This drawing and the information contained herein is of a confidential nature and the property of John Zink Company and shall not be copied, traced, photographed, or reproduced in any manner nor used for any purpose whatsoever, except by written permission of John Zink Company. This drawing shall be returned to John Zink Company upon request. Copyright 2005, John Zink Company, LLC. All rights reserved.