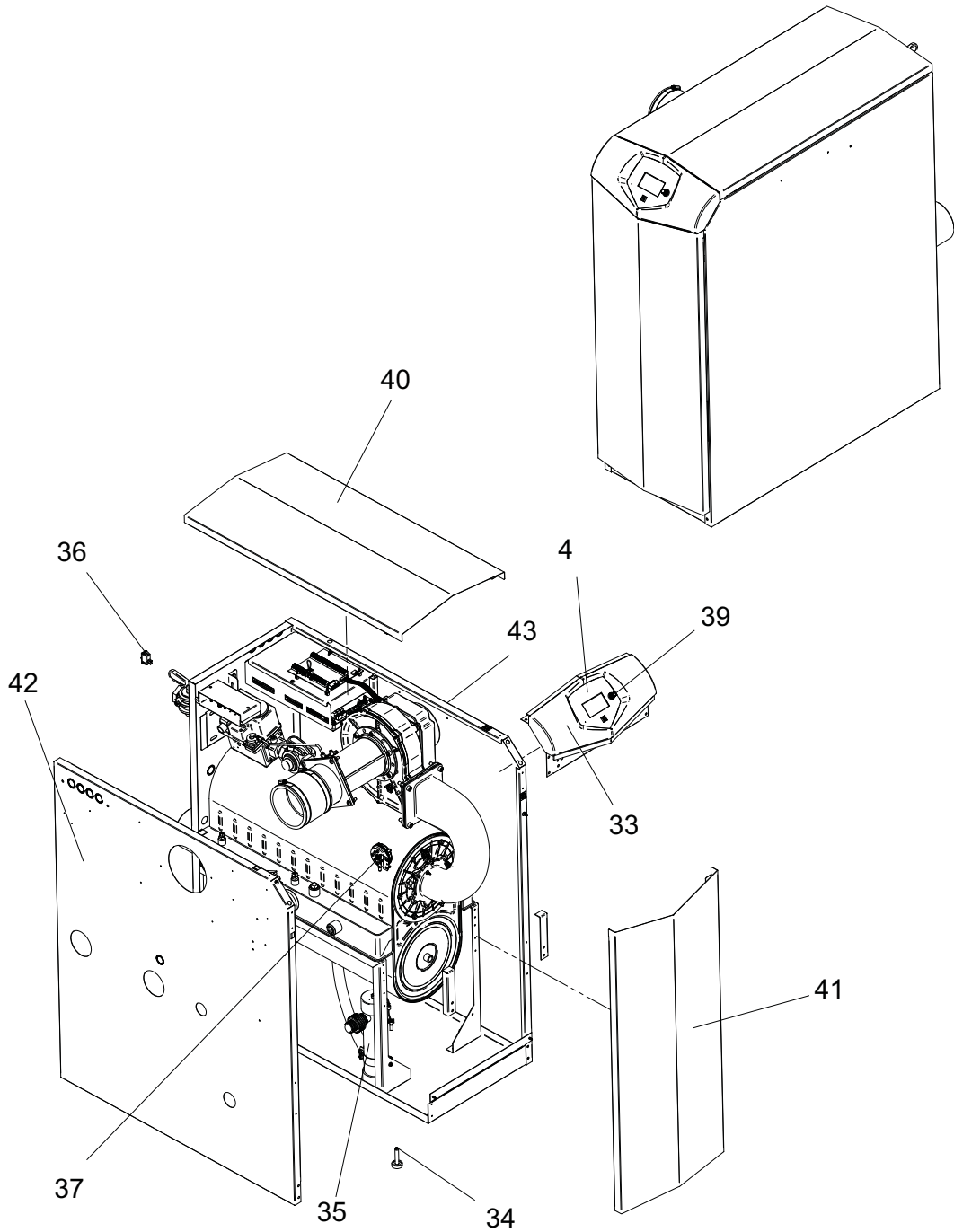




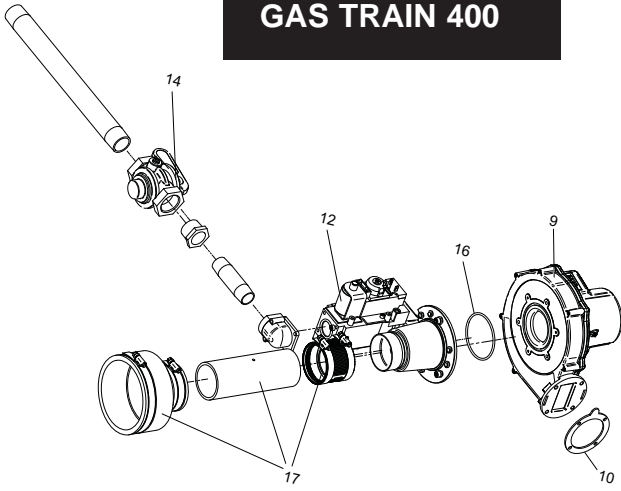
PARTS & SERVICE DEPARTMENT
Nashville, Tennessee
615-889-8900 • Fax: 615-882-2918
parts_team@lochinvar.com
www.Lochinvar.com

Replacement Parts List

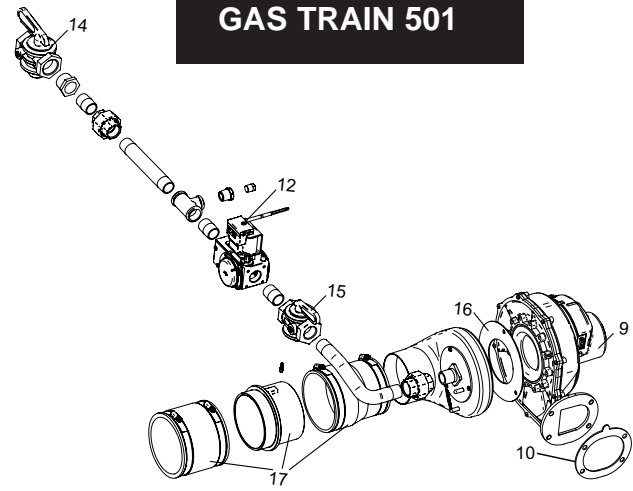
**Knight XL
Heating Boilers
KB 400 thru 801**



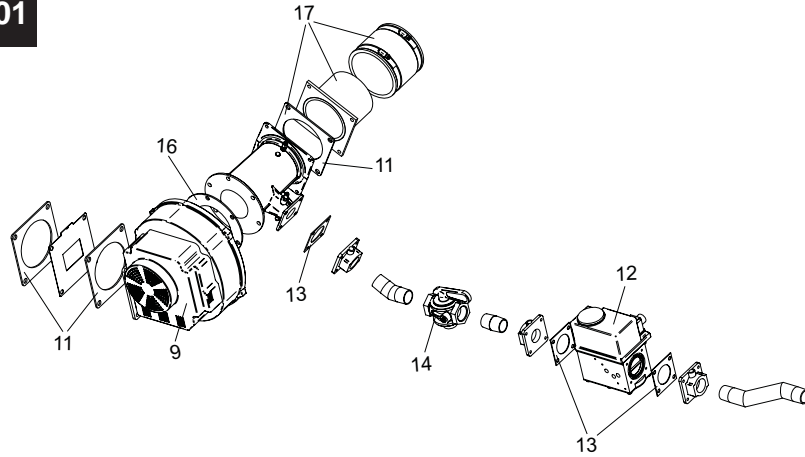
GAS TRAIN 400



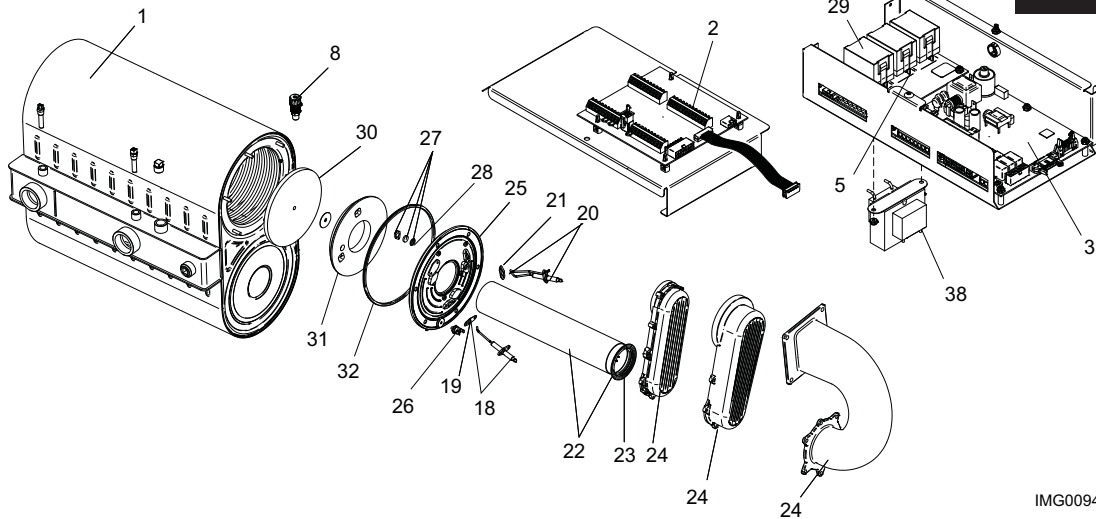
GAS TRAIN 501



GAS TRAIN 601-801



HEAT EXCHANGER 400-801



CONTROL PANEL

IMG00949

ITEM NO.	PART NO.	DESCRIPTION	MODEL
HEAT EXCHANGER ASSEMBLY			
1	HEX3081	HEAT EXCHANGER	KBN400
1	HEX3082	HEAT EXCHANGER	KBN501
1	HEX3088	HEAT EXCHANGER	KBN601
1	HEX3089	HEAT EXCHANGER	KBN701
1	HEX3090	HEAT EXCHANGER	KBN801
CONTROLS			
2	RLY20062	LOW VOLTAGE CONNECTION BOARD	ALL
3	RLY30037	INTEGRATED CONTROL PRIOR TO SERIAL H10	KBN400
3	RLY30065	INTEGRATED CONTROL BEGINNING SERIAL H10	KBN400

PLEASE HAVE MODEL AND SERIAL NUMBER WHEN ORDERING PARTS

ITEM NO.	PART NO.	DESCRIPTION	MODEL
CONTROLS (CONTINUED)			
3	RLY30038	INTEGRATED CONTROL PRIOR TO H10	KBN501
3	RLY30066	INTEGRATED CONTROL BEGINNING H10	KBN501
3	RLY30039	INTEGRATED CONTROL PRIOR TO H10	KBN601 - 801
3	RLY30067	INTEGRATED CONTROL BEGINNING H10	KBN601 - 801
3	RLY30040	HIGH ALTITUDE INTEGRATED CONTROL PRIOR TO H10	KBN400
3	RLY30068	HIGH ALTITUDE INTEGRATED CONTROL BEGINNING H10	KBN400
3	RLY30041	HIGH ALTITUDE INTEGRATED CONTROL PRIOR TO H10	KBN501
3	RLY30069	HIGH ALTITUDE INTEGRATED CONTROL BEGINNING H10	KBN501
3	RLY30042	HIGH ALTITUDE INTEGRATED CONTROL PRIOR TO H10	KBN601 - 801
3	RLY30070	HIGH ALTITUDE INTEGRATED CONTROL BEGINNING H10	KBN601 - 801
4	RLY20058	USER INTERFACE CONTROL	ALL
	LBL20136	USER INTERFACE OVERLAY	ALL
5	RLY2085	RELAY BOARD, 1.5 HP PUMP	ALL
6	TST2060	INLET SENSOR	ALL
7	TST20009	OUTLET SENSOR/ HIGH LIMIT	ALL
8	RLV30000	AIR VENT VALVE	ALL
9	FAN3035	FAN ASSEMBLY	KBN400
9	FAN3037	FAN ASSEMBLY	KBN501
9	FAN30001	FAN ASSEMBLY	KBN601 - 801
10	GKT2436	BLOWER/AIR ARM GASKET	KBN400
10	GKT2438	BLOWER/AIR ARM GASKET	KBN501
11	GKT2034	BLOWER/AIR ARM GASKET	KBN601-801
GAS VALVES			
12	VAL3204	GAS VALVE ASSEMBLY	KBN400
12	VAL3207	GAS VALVE ASSEMBLY NAT	KBN501
12	VAL3212	GAS VALVE ASSEMBLY NAT	KBN601
12	VAL30006	GAS VALVE ASSEMBLY NAT	KBN701
12	VAL3213	GAS VALVE ASSEMBLY NAT	KBN801
12	VAL30011	GAS VALVE ASSEMBLY LP	KBL501
12	VAL30012	GAS VALVE ASSEMBLY LP	KBL601
12	VAL30013	GAS VALVE ASSEMBLY LP	KBL701
12	VAL30014	GAS VALVE ASSEMBLY LP	KBL801
13	GKT2050	GAS VALVE GASKET	KBN601 - 801
14	GAC2029	GAS CUT OFF VALVE 1X1	ALL
15	GAC2028	GAS CUT OFF VALVE 3/4 X 3/4	KBN501
16	GKT2444	GASKET, VENTURI	KBN400
16	GKT2080	AIR SHROUD GASKET	KBN501
16	GKT2049	GASKET, VENTURI	KBN601 - 801
17	MSC3185	AIR INLET KIT	KBN400
17	MSC3187	AIR INLET KIT	KBN501
17	MSC3186	AIR INLET KIT	KBN601-801
PILOT & BURNER ASSEMBLIES			
18	PLT3022	FLAME SENSOR W/ GASKET	KBN400/501
18	PLT3023	FLAME SENSOR W/ GASKET	KBN601 - 801
19	GKT2450	GASKET, FLAME SENSOR	ALL
20	PLT3021	IGNITOR W/ GASKET	KBN400/501
20	PLT30000	IGNITOR W/ GASKET	KBN601 - 801
21	GKT2449	GASKET, IGNITOR	ALL
22	BNR3429	BURNER W/ GASKET	KBN400/501
22	BNR3432	BURNER W/ GASKET	KBN601
22	BNR3433	BURNER W/ GASKET	KBN701
22	BNR3434	BURNER W/ GASKET	KBN801
23	GKT2451	GASKET, BURNER	KBN400/501
23	GKT2062	GASKET, BURNER	KBN601 - 801
24	WTR3078	GAS/AIR ARM ASSEMBLY W/GASKET	KBN400
24	WTR3079	GAS/AIR ARM ASSEMBLY W/GASKET	KBN501
24	WTR3085	GAS/AIR ARM ASSEMBLY W/GASKET	KBN601 - 801
25	WTR3080	HEAT EXCHANGER ACCESS DOOR KIT	KBN400/501
25	WTR3086	HEAT EXCHANGER ACCESS DOOR KIT	KBN601 - 801
26	HLC20005	HEX DOOR TEMP SWITCH BEGINNING SERIAL F14	ALL
MISCELLANEOUS			
27	MSC3180	SIGHT GLASS	ALL
28	GKT2453	GASKET, SIGHT GLASS	ALL
29	RLY2222	RELAY, 1.5 HP PUMP	ALL
PLEASE HAVE MODEL AND SERIAL NUMBER WHEN ORDERING PARTS			

ITEM NO.	PART NO.	DESCRIPTION	MODEL
MISCELLANEOUS (CONTINUED)			
30	FIB2167	DIVIDER PLATE, INSULATION BAFFLE	ALL
31	FIB2168	BURNER PLATE, INSULATION, DOOR	KBN400/501
31	FIB2146	BURNER PLATE, INSULATION, DOOR	KBN601 - 801
32	GKT2455	GASKET DOOR RUBBER	KBN400/501
32	GKT2063	GASKET DOOR RUBBER	KBN601 - 801
33	MSC2177	DISPLAY BEZEL	ALL
34	BLT2104	LEVELING LEGS	ALL
35	MSC30050	CONDENSATE TRAP	ALL
-	SWT2011	BLOCKED DRAIN SWITCH	ALL
36	SWT2006	ON/OFF SWITCH	ALL
37	PRS20002	PRESSURE SWITCH	KBN400
37	PRS20020	PRESSURE SWITCH	KBN501
37	PRS20019	PRESSURE SWITCH	KBN601-801
38	TRF20000	TRANSFORMER, 40VA	KBN400 - 701
38	TRF20002	TRANSFORMER, 60VA	KBN801
39	MSC20123	KNOB, FLUTED W / SKIRT	ALL
-	RLV2084	RELIEF VALVE 50 PSI	KBN400-601
-	RLV2001	RELIEF VALVE 50 PSI	KBN701/801
-	FUS20001	0.8 AMP	ALL
-	FUS2001	3.15 AMP	ALL
-	FUS2002	5 AMP	ALL
-	WTR2040	FLOW SWITCH	ALL
-	MSC2514	HIGH VOLTAGE CONNECTION BOARD	ALL
-	TST2311	OUTDOOR AIR SENSOR	ALL
-	GTP2900	GAUGE TRIOMETER, 75# PSI	ALL
-	TST30011	FLUE TEMP SENSOR KIT	ALL
-	JKB30111	KIT, COLLAR FLUE 4"	KBN400-601
-	KIT3078	SYSTEM SENSOR	ALL
-	WTR20009	MRLWCO WITH TEST	ALL
-	KIT3087	NEUTRALIZER KIT	KBN400/501
-	KIT3046	NEUTRALIZER KIT	KBN601-801
-	KIT3085	ALARM BELL	ALL
-	LPK3949	LP CONVERSION KIT	KBN400
-	LPK3950	LP CONVERSION KIT (AFTER SERIAL# J07 FOR KBN500)	KBN501-801
-	TST2032	SYSTEM SENSOR	ALL
-	TST2044	BULB WELL 1/4"	ALL
-	HLC30000	LIMIT, HEAT EXCHANGER OVER TEMP	ALL
-	WRE20052	HARNESS, POWER	ALL
-	WRE20054	HARNESS, CONNECTION BOARD	ALL
-	WRE30005	HARNESS, UNIT	ALL
-	WRE2200	HARNESS, SPARK ELECTRODE	KBN400 & 501
-	WRE2230	HARNESS, SPARK ELECTRODE	KBN601-801
-	WRE2203	CABLE, RIBBON	KBN400 & 501
-	WRE2229	CABLE, RIBBON	KBN601-801
-	WRE2206	HARNESS, GAS VALVE	KBN400
-	WRE30000	HARNESS, GAS VALVE	KBN500
-	WRE2021	HARNESS, GAS VALVE	KBN601-801
-	WRE2211	HARNESS, FLAME SENSE ELECTRODE	ALL
JACKET ASSEMBLY			
40	JKB40043	JACKET, TOP	KBN400
40	JKB30015	JACKET, TOP	KBN501
40	JKB40045	JACKET, TOP	KBN601
40	JKB40046	JACKET, TOP	KBN701
40	JKB40030	JACKET, TOP	KBN801
41	JKB30014	JACKET, FRONT	ALL
42	JKB40096	JACKET, LEFT SIDE	KBN400
42	JKB40083	JACKET, LEFT SIDE	KBN501
42	JKB40082	JACKET, LEFT SIDE	KBN601
42	JKB40081	JACKET, LEFT SIDE	KBN701
42	JKB40080	JACKET, LEFT SIDE	KBN801
43	JKB60192	JACKET, RIGHT SIDE	KBN400
43	JKB60194	JACKET, RIGHT SIDE	KBN501
43	JKB60196	JACKET, RIGHT SIDE	KBN601
43	JKB60198	JACKET, RIGHT SIDE	KBN701
43	JKB60199	JACKET, RIGHT SIDE	KBN801
PLEASE HAVE MODEL AND SERIAL NUMBER WHEN ORDERING PARTS			