

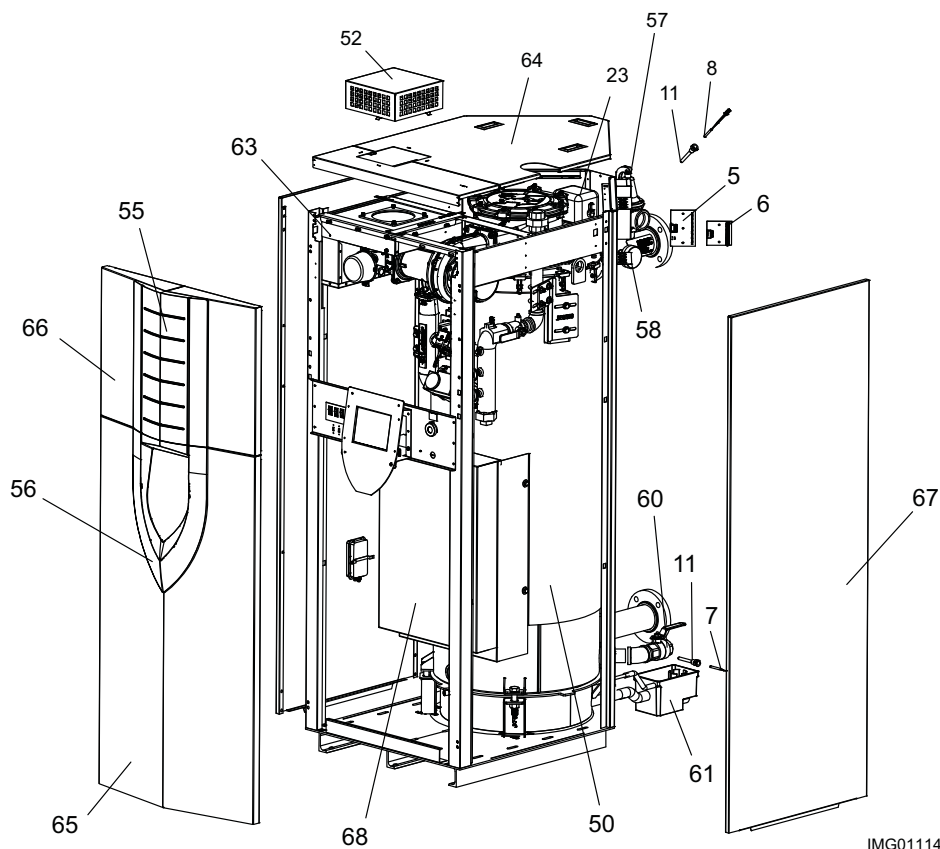
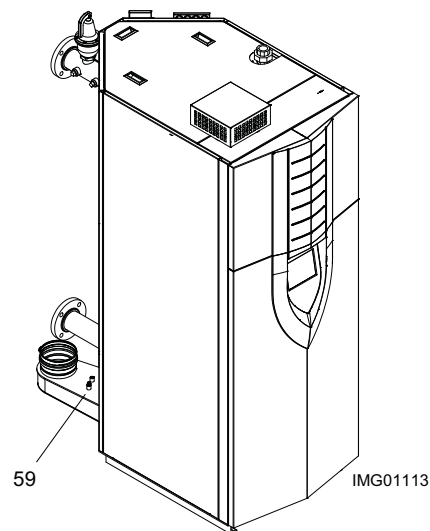


Lochinvar[®]
HIGH EFFICIENCY BOILERS & WATER HEATERS

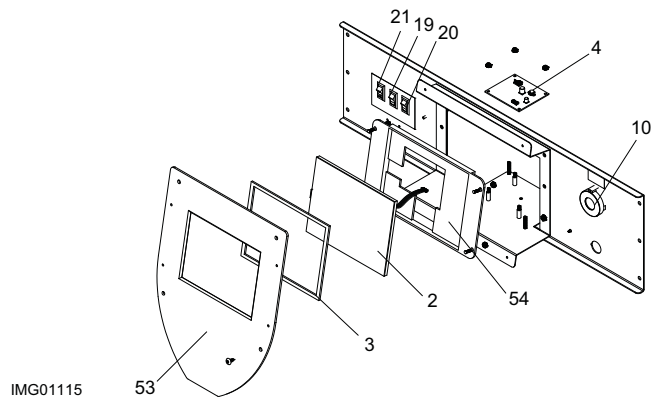
PARTS & SERVICE DEPARTMENT
Nashville, Tennessee
615-889-8900 • Fax: 615-882-2918
parts_team@lochinvar.com
www.Lochinvar.com

Replacement Parts List

Crest[®]
Heating Boilers
FBN(L) 751 - 2001

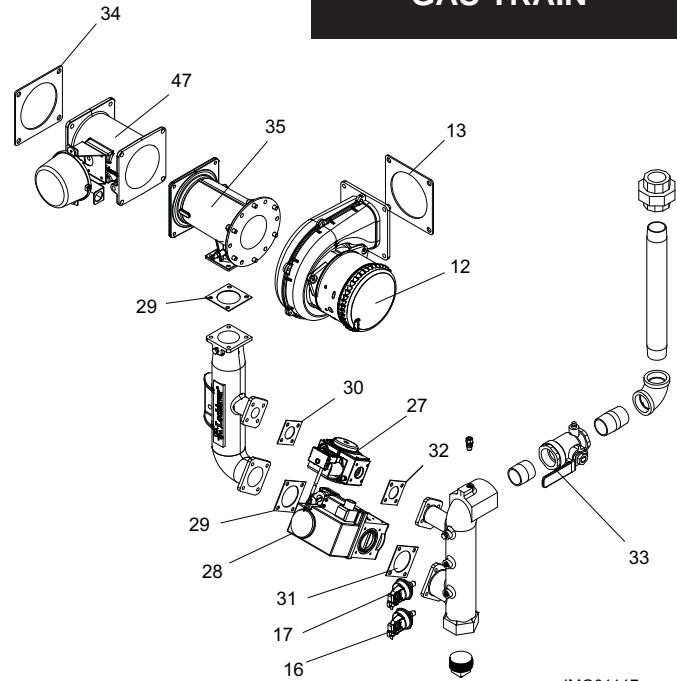


DISPLAY PANEL



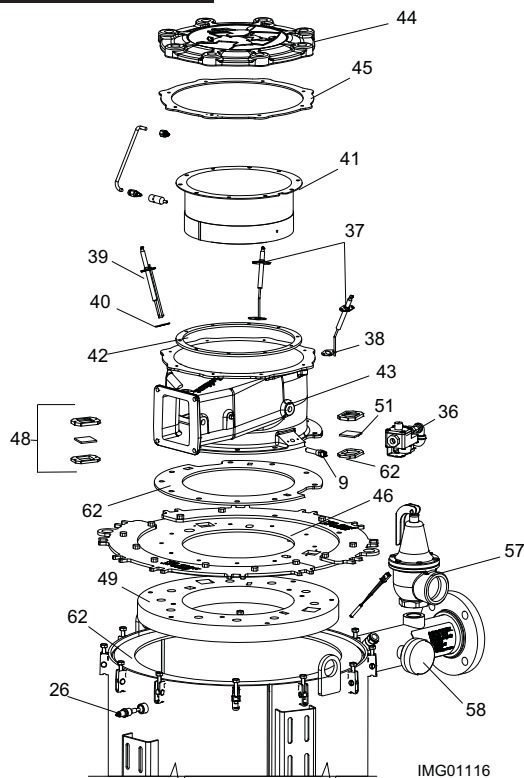
IMG01115

GAS TRAIN



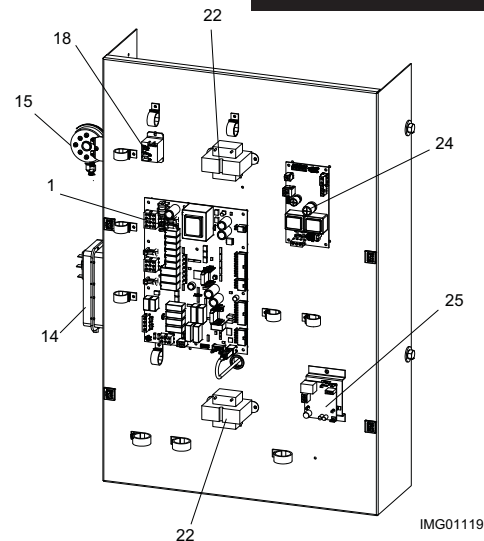
IMG01117

HEAT EXCHANGER



IMG01116

CONTROL PANEL



IMG01119

ITEM NO.	PART NO.	DESCRIPTION	MODEL
CONTROLS			
1	RLY20141	INTEGRATED CONTROL	ALL
2	RLY20151	LCD DISPLAY	ALL
3	GKT20042	GASKET, LCD DISPLAY	ALL
4	RLY20152	DISPLAY COMMUNICATION CONTROL	ALL
5	RLY20100	LOW VOLTAGE CONTROL BOARD	ALL
6	RLY20080	LOW VOLTAGE CONTROL BOARD	ALL
7	TST2032	SENSOR, INLET / SYSTEM	ALL
8	TST20010	SENSOR, DUAL OUTLET	ALL
9	TST20014	SENSOR, PREMIX GAS / AIR ARM	ALL
10	HLC20002	HIGH LIMIT	ALL
11	TST2306	BULB WELL	ALL
12	FAN30018	FAN ASSEMBLY	FB751-1251
12	FAN30019	FAN ASSEMBLY	FB1501-2001
13	GKT2034	GASKET, FAN	FB751-1251
13	GKT20017	GASKET, FAN	FB1501-2001
14	PRS2442	BLOCKED FLUE / AIR PRESSURE SWITCH	ALL
15	PRS20046	AIR METERING VALVE PRESSURE SWITCH	FB751-1251

PLEASE HAVE MODEL AND SERIAL NUMBER WHEN ORDERING PARTS

ITEM NO.	PART NO.	DESCRIPTION	MODEL
CONTROLS (CONTINUED)			
15	PRS2443	AIR METERING VALVE PRESSURE SWITCH	FB1501-2001
16	PRS20029	GAS PRESSURE SWITCH, LOW	ALL
17	PRS20045	GAS PRESSURE SWITCH, HIGH	ALL
18	RLY2706	RELAY, 120V	ALL
19	SWT2002	MOMENTARY OFF SWITCH, RED	ALL
20	SWT2003	MOMENTARY OFF SWITCH, BLACK	ALL
21	SWT20002	ON/OFF SWITCH	ALL
22	TRF20000	TRANSFORMER, 24V, 40VA	ALL
23	TRF20011	TRANSFORMER, SPARK	ALL
24	RLY20041	MODBUS BOARD	ALL
24	RLY20134	BACNET BOARD	ALL
25	WTR30000	LOW WATER CUT-OFF, MANUAL RESET	ALL
26	WTR20011	PROBE, LWCO	ALL
-	WTR20000	BOOT, LWCO	ALL
GAS VALVES			
27	VAL30103	GAS VALVE ASSEMBLY, NAT - SMALL	FBN751
27	VAL30104	GAS VALVE ASSEMBLY, NAT - SMALL	FBN1001
27	VAL30105	GAS VALVE ASSEMBLY, NAT - SMALL	FBN1251
27	VAL30106	GAS VALVE ASSEMBLY, NAT - SMALL	FBN1501
27	VAL30107	GAS VALVE ASSEMBLY, NAT - SMALL	FBN1751
27	VAL30108	GAS VALVE ASSEMBLY, NAT - SMALL	FBN2001
27	VAL30109	GAS VALVE ASSEMBLY, LP - SMALL	FBL751
27	VAL30110	GAS VALVE ASSEMBLY, LP - SMALL	FBL1001
27	VAL30111	GAS VALVE ASSEMBLY, LP - SMALL	FBL1251
27	VAL30112	GAS VALVE ASSEMBLY, LP - SMALL	FBL1501
27	VAL30113	GAS VALVE ASSEMBLY, LP - SMALL	FBL1751
27	VAL30114	GAS VALVE ASSEMBLY, LP - SMALL	FBL2001
28	VAL30115	GAS VALVE ASSEMBLY, NAT - LARGE	FBN751
28	VAL30116	GAS VALVE ASSEMBLY, NAT - LARGE	FBN1001
28	VAL30117	GAS VALVE ASSEMBLY, NAT - LARGE	FBN1251
28	VAL30118	GAS VALVE ASSEMBLY, NAT - LARGE	FBN1501
28	VAL30119	GAS VALVE ASSEMBLY, NAT - LARGE	FBN1751
28	VAL30120	GAS VALVE ASSEMBLY, NAT - LARGE	FBN2001
28	VAL30121	GAS VALVE ASSEMBLY, LP - LARGE	FBL751
28	VAL30122	GAS VALVE ASSEMBLY, LP - LARGE	FBL1001
28	VAL30123	GAS VALVE ASSEMBLY, LP - LARGE	FBL1251
28	VAL30124	GAS VALVE ASSEMBLY, LP - LARGE	FBL1501
28	VAL30125	GAS VALVE ASSEMBLY, LP - LARGE	FBL1751
28	VAL30126	GAS VALVE ASSEMBLY, LP - LARGE	FBL2001
29	GKT2050	GASKET, FLANGE VENTURI	ALL
30	GKT20173	GASKET, GAS TRAIN	ALL
31	GKT20174	GASKET, GAS TRAIN	ALL
32	GKT20175	GASKET, GAS TRAIN	ALL
33	VAL2208	VALVE, BALL	FB751-1251
33	VAL2951	VALVE, BALL	FB1501-2001
34	GKT2034	GASKET, VENTURI	ALL
35	VAL2723	VALVE, VENTURI	FB751
35	VAL20148	VALVE, VENTURI	FB1001-1251
35	VAL2160	VALVE, VENTURI	FB1501-1751
35	VAL2127	VALVE, VENTURI	FB2001
36	VAL20144	TRANSITION VALVE	ALL
PILOT & BURNER ASSEMBLIES			
37	PLT30009	FLAME SENSOR W/ GASKET	ALL
38	GKT20055	GASKET, FLAME SENSOR	ALL
39	PLT30008	IGNITOR W/GASKET	FB751-1251
39	PLT30010	IGNITOR W/GASKET	FB1501-2001
40	GKT20054	GASKET, IGNITOR	ALL
41	BNR30027	BURNER W/GASKET	FB751
41	BNR30028	BURNER W/GASKET	FB1001
41	BNR30029	BURNER W/GASKET	FB1251
41	BNR30030	BURNER W/GASKET	FB1501
41	BNR30031	BURNER W/GASKET	FB1751
41	BNR30032	BURNER W/GASKET	FB2001
42	GKT20121	GASKET, BURNER	ALL
43	WTR30037	GAS/AIR MANIFOLD W/ GASKET	FB751-1251
43	WTR30038	GAS/AIR MANIFOLD W/ GASKET	FB1501-2001
44	WTR20054	MANIFOLD COVER	ALL
45	GKT20172	GASKET, MANIFOLD COVER	ALL

PLEASE HAVE MODEL AND SERIAL NUMBER WHEN ORDERING PARTS

ITEM NO.	PART NO.	DESCRIPTION	MODEL
PILOT & BURNER ASSEMBLIES			
46	WTR30043	DOOR, HEAT EXCHANGER ASSEMBLY	FB751
46	WTR30044	DOOR, HEAT EXCHANGER ASSEMBLY	FB1001
46	WTR30045	DOOR, HEAT EXCHANGER ASSEMBLY	FB1251
46	WTR30046	DOOR, HEAT EXCHANGER ASSEMBLY	FB1501
46	WTR30047	DOOR, HEAT EXCHANGER ASSEMBLY	FB1751
46	WTR30048	DOOR, HEAT EXCHANGER ASSEMBLY	FB2001
47	WTR30049	AIR METERING VALVE	FB 751
47	WTR30050	AIR METERING VALVE	FB 1001
47	WTR30051	AIR METERING VALVE	FB 1251
47	WTR30052	AIR METERING VALVE	FB1501-1751
47	WTR30053	AIR METERING VALVE	FB 2001
MISCELLANEOUS			
48	MSC30024	SIGHT GLASS KIT	ALL
49	FIB20143	FIBERBOARD, BURNER	FB751
49	FIB20144	FIBERBOARD, BURNER	FB1001
49	FIB20145	FIBERBOARD, BURNER	FB1251
49	FIB20146	FIBERBOARD, BURNER	FB1501
49	FIB20147	FIBERBOARD, BURNER	FB1751
49	FIB20148	FIBERBOARD, BURNER	FB2001
50	FIB20172	INSULATION, HEX WRAP	FB751
50	FIB20173	INSULATION, HEX WRAP	FB1001
50	FIB20174	INSULATION, HEX WRAP	FB1251
50	FIB20175	INSULATION, HEX WRAP	FB1501
50	FIB20176	INSULATION, HEX WRAP	FB1751
50	FIB20177	INSULATION, HEX WRAP	FB2001
51	GKT20057	GASKET SIGHT GLASS TOP	ALL
52	JKF60251	AIR INLET COVER	ALL
53	MSC40000	DISPLAY MOUNTING PLATE	ALL
54	MSC20136	HOLDER, LCD	ALL
55	MSC20101	TOP BEZEL	ALL
56	MSC20098	DISPLAY BEZEL	ALL
57	RLV2003	RELIEF VALVE 50 PSI	ALL
58	GTP20005	GAUGE, TEMPERATURE & PRESSURE	ALL
59	TST20026	FLUE TEMP SENSOR	ALL
60	WTR2547	VALVE, DRAIN	ALL
61	MSC20149	CONDENSATE TRAP	ALL
62	GKT20115	KIT, GASKET SET (SIGHT GLASS / AIR MANIFOLD/HEX PLATE)	FB751
62	GKT20116	KIT, GASKET SET (SIGHT GLASS / AIR MANIFOLD/HEX PLATE)	FB1001
62	GKT20117	KIT, GASKET SET (SIGHT GLASS / AIR MANIFOLD/HEX PLATE)	FB1251
62	GKT20118	KIT, GASKET SET (SIGHT GLASS / AIR MANIFOLD/HEX PLATE)	FB1501
62	GKT20119	KIT, GASKET SET (SIGHT GLASS / AIR MANIFOLD/HEX PLATE)	FB1751
62	GKT20120	KIT, GASKET SET (SIGHT GLASS / AIR MANIFOLD/HEX PLATE)	FB2001
63	FIL20001	FILTER, AIR	FB751-1251
63	FIL20002	FILTER, AIR	FB1501-2001
-	WRE20140	CABLE, USB	ALL
-	FAN2027	VENTILATION FAN	ALL
-	GKT20059	GASKET, AIR INLET COVER	ALL
-	JKF40036	INLET ADAPTER (SQUARE TO ROUND)	ALL
-	WRE20118	RIBBON CABLE	ALL
-	WRE20169	HARNESS, ELECTRODE, SPARK	ALL
-	WRE20107	HARNESS, ELECTRODE, FLAME SENSOR	ALL
-	FUS2000	FUSE, 1.25 AMP	ALL
-	FUS2001	FUSE, 3.15 AMP	ALL
-	FUS2002	FUSE, 5 AMP	ALL
-	TST2311	OUTDOOR AIR SENSOR	ALL
-	KIT30097	NEUTRALIZER KIT	ALL
-	MSC20170	HOSE, CONDENSATE 3/8"	ALL
-	MSC20171	HOSE, CONDENSATE 1"	ALL
-	MSC2461	TUBING, SILICONE 1/8"	ALL
-	MSC2933	TUBING, ALUMINUM 1/4"	ALL
-	MSC20062	DOOR CATCH	ALL
-	MSC2202	DOOR STRIKE	ALL
JACKET ASSEMBLIES			
64	JKF30025	JACKET, OUTER TOP	FB751
64	JKF30026	JACKET, OUTER TOP	FB1001
64	JKF30027	JACKET, OUTER TOP	FB1251
64	JKF30028	JACKET, OUTER TOP	FB1501
64	JKF30029	JACKET, OUTER TOP	FB1751
64	JKF30030	JACKET, OUTER TOP	FB2001
65	JKF30022	JACKET, OUTER FRONT LOWER DOOR	ALL
66	JKF30023	JACKET, OUTER FRONT UPPER DOOR	ALL
67	JKF30031	JACKET, OUTER LEFT & RIGHT SIDE	FB751-1251
67	JKF30032	JACKET, OUTER LEFT & RIGHT SIDE	FB1501-2001
68	JKF30024	CONTROL PANEL COVER	ALL
PLEASE HAVE MODEL AND SERIAL NUMBER WHEN ORDERING PARTS			