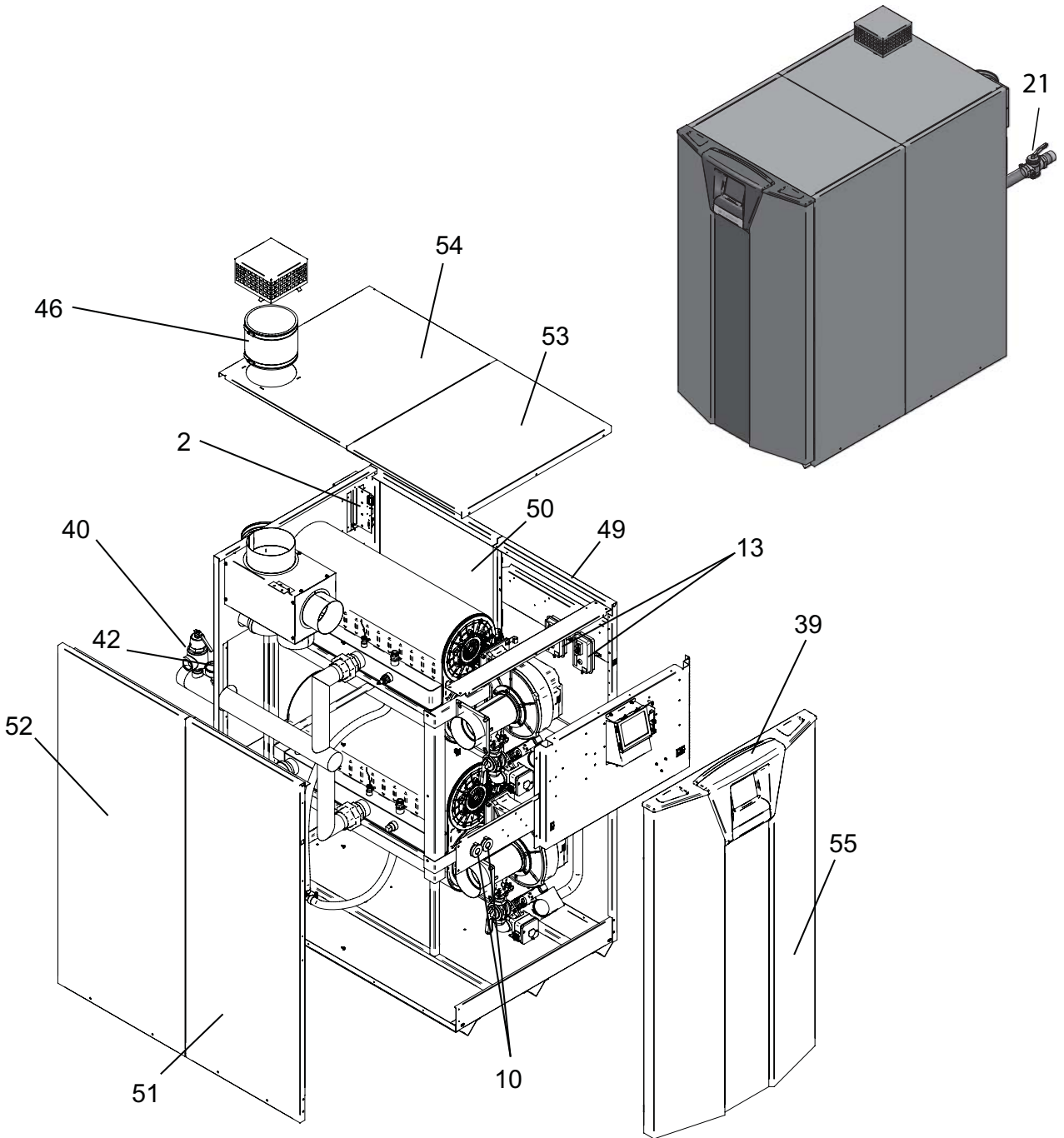




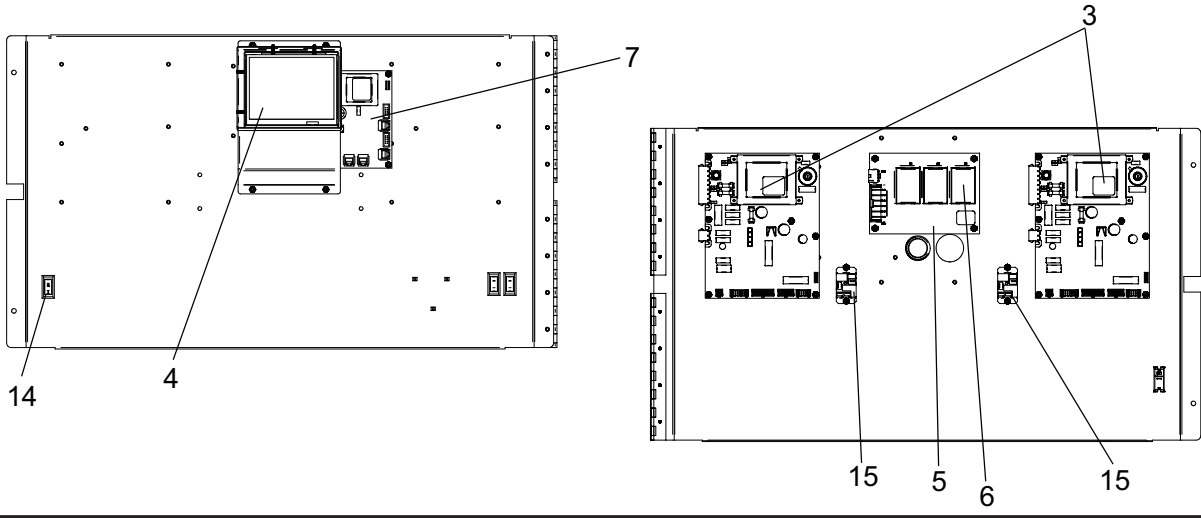
Replacement Parts List

PARTS & SERVICE DEPARTMENT
 Nashville, Tennessee
 615-889-8900 • Fax: 615-882-2918
 parts_team@lochinvar.com
 www.Lochinvar.com

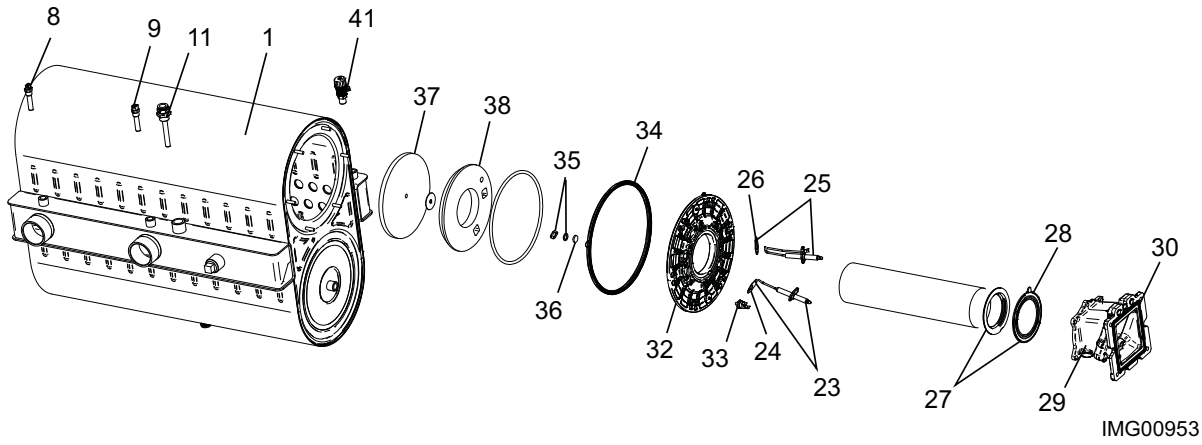
Armor X2
Condensing Water Heater
AW(N,L) 1000 - 1500



CONTROL PANEL ASSEMBLY

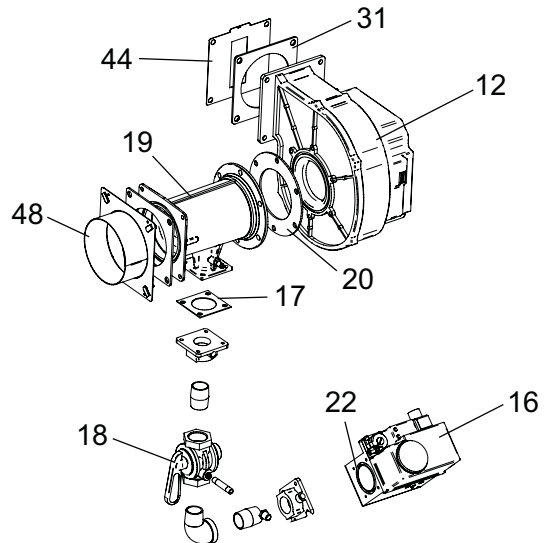
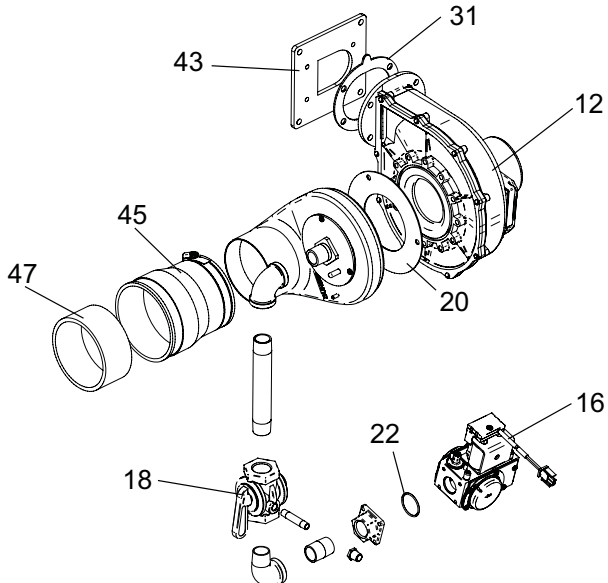


HEAT EXCHANGER ASSEMBLY



GAS TRAIN AW 1000

GAS TRAIN AW 1300, 1500



| ITEM NO. | PART NO. | DESCRIPTION | MODEL |
|--------------------------------------|----------|--|----------------|
| HEAT EXCHANGER ASSEMBLY | | | |
| 1 | HEX30050 | HEAT EXCHANGER | AWN/L1000 |
| 1 | HEX30051 | HEAT EXCHANGER | AWN/L1300 |
| 1 | HEX30052 | HEAT EXCHANGER | AWN/L1500 |
| CONTROLS | | | |
| 2 | RLY20023 | LOW VOLTAGE CONNECTION BOARD | ALL |
| 3 | RLY20086 | INTEGRATED CONTROL | AWN/L1000 |
| 3 | RLY20087 | INTEGRATED CONTROL | AWN/L1300-1500 |
| 3 | RLY30087 | INTEGRATED CONTROL HIGH ALTITUDE | AWN/L1000 |
| 3 | RLY30088 | INTEGRATED CONTROL HIGH ALTITUDE | AWN/L1300-1500 |
| 4 | RLY20088 | LCD DISPLAY | ALL |
| 5 | RLY2085 | PUMP RELAY BOARD | ALL |
| 6 | RLY2222 | 1.5HP PUMP RELAY | ALL |
| 7 | RLY20090 | ECS CONTROL BOARD | ALL |
| 8 | TST2060 | INLET SENSOR | ALL |
| 9 | TST20028 | OUTLET SENSOR | ALL |
| 10 | HLC2701 | MANUAL RESET HIGH LIMIT | ALL |
| 11 | TST2306 | BULB WELL, HIGH LIMIT | ALL |
| 12 | FAN30005 | FAN ASSEMBLY | AWN/L1000 |
| 12 | FAN30001 | FAN ASSEMBLY | AWN/L1300-1500 |
| 13 | PRS2054 | AIR PRESSURE SWITCH | ALL |
| 13 | PRS20018 | AIR PRESSURE SWITCH, HIGH ALTITUDE | ALL |
| 14 | SWT2006 | ON/OFF SWITCH | ALL |
| 15 | RLY2105 | RELAY, 24VAC | ALL |
| GAS VALVES | | | |
| 16 | VAL30007 | GAS VALVE ASSEMBLY NAT | AWN1000 |
| 16 | VAL30008 | GAS VALVE ASSEMBLY NAT | AWN1300 |
| 16 | VAL30009 | GAS VALVE ASSEMBLY NAT | AWN1500 |
| 16 | VAL30015 | GAS VALVE ASSEMBLY LP | AWL1000 |
| 16 | VAL30016 | GAS VALVE ASSEMBLY LP | AWL1300 |
| 16 | VAL30017 | GAS VALVE ASSEMBLY LP | AWL1500 |
| 17 | GKT2050 | GAS TRAIN GASKET | AWN/L1300-1500 |
| 18 | GAC2028 | GAS CUT OFF VALVE 3/4" | AWN/L1000 |
| 18 | GAC2029 | GAS CUT OFF VALVE 1X1 | AWN/L1300-1500 |
| 19 | VAL2723 | VENTURI | AWN/L1300-1500 |
| 20 | GKT2081 | GASKET, VENTURI | AWN/L1300-1500 |
| 20 | GKT2080 | AIR SHROUD GASKET | AWN/L1000 |
| 21 | VAL2951 | GAS CUT OFF VALVE 1 1/2" | ALL |
| 22 | GKT20065 | GASKET, GAS VALVE | AWN/L1000 |
| 22 | GKT20066 | GASKET, GAS VALVE | AWN/L1300-1500 |
| PILOT & BURNER ASSEMBLIES | | | |
| 23 | PLT3023 | FLAME SENSOR W/ GASKET | ALL |
| 24 | GKT2450 | GASKET, FLAME SENSOR | ALL |
| 25 | PLT30000 | IGNITOR W/ GASKET | ALL |
| 26 | GKT2449 | GASKET, IGNITOR | ALL |
| 27 | BNR30000 | BURNER W/ GASKET | AWN/L1000 |
| 27 | BNR30001 | BURNER W/ GASKET | AWN/L1300 |
| 27 | BNR30002 | BURNER W/ GASKET | AWN/L1500 |
| 28 | GKT2062 | GASKET, BURNER | ALL |
| 29 | WTR20001 | FLAPPER VALVE ASSEMBLY & STABILATOR | ALL |
| 30 | GKT20012 | GASKET, FLAPPER VALVE | ALL |
| 31 | GKT2034 | GASKET, FAN | AWN/L1300-1500 |
| 31 | GKT2438 | GASKET, FAN | AWN/L1000 |
| 32 | WTR3086 | HEAT EXCHANGER ACCESS DOOR KIT | ALL |
| 33 | HLC20005 | HEX DOOR TEMP SWITCH BEGINNING SN# F14 | ALL |
| 34 | GKT2063 | GASKET DOOR RUBBER | ALL |

PLEASE HAVE MODEL AND SERIAL NUMBER AVAILABLE WHEN ORDERING PARTS

| ITEM NO. | PART NO. | DESCRIPTION | MODEL |
|--|----------|----------------------------------|-----------------|
| MISCELLANEOUS | | | |
| 35 | MSC3180 | SIGHT GLASS | ALL |
| 36 | GKT2453 | GASKET, SIGHT GLASS | ALL |
| 37 | FIB2167 | DIVIDER PLATE, INSULATION BAFFLE | ALL |
| 38 | FIB2146 | BURNER PLATE, INSULATION, DOOR | ALL |
| 39 | MSC20069 | DISPLAY BEZEL | ALL |
| 40 | RLV2007 | T & P RELIEF VALVE | ALL |
| 41 | RLV30000 | AIR VENT VALVE | ALL |
| 42 | GTP2901 | GAUGE TRIOMETER | ALL |
| 43 | JKB20001 | ADAPTER, FAN | AWN/L1000 |
| 44 | JKB60071 | AIR SHUTTER | AWN/L1300 |
| 45 | CPG2064 | COUPLING 4" | AWN/L1000 |
| 46 | CPG20000 | COUPLING 6" | ALL |
| 47 | PVC20025 | INLET STIFFENER | AWN/L1000 |
| 48 | JKD5040 | INLET ADAPTER | AWN/L1300-1500 |
| - | MSC20024 | VENT TEE, 6" | ALL |
| - | MSC20027 | 6" PVC TO SS ADAPTER | ALL |
| - | FUS2000 | 1.25 AMP | ALL |
| - | FUS2001 | 3.15 AMP | ALL |
| - | FUS2002 | 5 AMP | ALL |
| - | MSC30049 | CONDENSATE TRAP | ALL |
| - | SWT2011 | BLOCKED DRAIN SWITCH | ALL |
| - | TST3403 | FLUE TEMP SENSOR KIT | ALL |
| - | KIT3046 | NEUTRALIZER KIT | ALL |
| - | KIT30112 | ALARM BELL KIT | ALL |
| - | KIT30047 | SIDEWALL VENT KIT | ALL |
| - | KIT30064 | HEAT EXCHANGER CLEANING KIT | ALL |
| - | MSC20062 | DOOR CATCH | ALL |
| - | MSC2202 | DOOR STRIKE | ALL |
| - | HLC30000 | LIMIT, HEAT EXCHANGER OVER TEMP | ALL |
| - | TST2032 | TANK SENSOR | ALL |
| - | WRE20023 | SPARK ELECTRODE 70" | ALL |
| - | WRE20104 | SPARK ELECTRODE 32" | ALL |
| - | WRE2211 | FLAME SENSOR CABLE | ALL |
| - | PUM30003 | PUMP | AWN/L1000 |
| - | PUM30004 | PUMP | AWN/L 1300-1500 |
| - | WRE30007 | HARNESS, UNIT | ALL |
| JACKET ASSEMBLIES | | | |
| 49 | JKB30020 | JACKET, OUTER SIDE, RIGHT FRONT | ALL |
| 50 | JKB60397 | JACKET, OUTER SIDE, RIGHT REAR | AWN1000 |
| 50 | JKB60411 | JACKET, OUTER SIDE, RIGHT REAR | AWN1300 |
| 50 | JKB60412 | JACKET, OUTER SIDE, RIGHT REAR | AWN1500 |
| 51 | JKB30021 | JACKET, OUTER SIDE, LEFT FRONT | ALL |
| 52 | JKB60394 | JACKET, OUTER SIDE, LEFT REAR | AWN1000 |
| 52 | JKB60409 | JACKET, OUTER SIDE, LEFT REAR | AWN1300 |
| 52 | JKB60410 | JACKET, OUTER SIDE, LEFT REAR | AWN1500 |
| 53 | JKB60398 | JACKET, OUTER FRONT TOP | ALL |
| 54 | JKB60392 | JACKET, OUTER REAR TOP | AWN1000 |
| 54 | JKB60407 | JACKET, OUTER REAR TOP | AWN1300 |
| 54 | JKB60408 | JACKET, OUTER REAR TOP | AWN1500 |
| 55 | JKB30022 | JACKET, FRONT DOOR ASSEMBLY | ALL |
| PLEASE HAVE MODEL AND SERIAL NUMBER AVAILABLE WHEN ORDERING PARTS | | | |