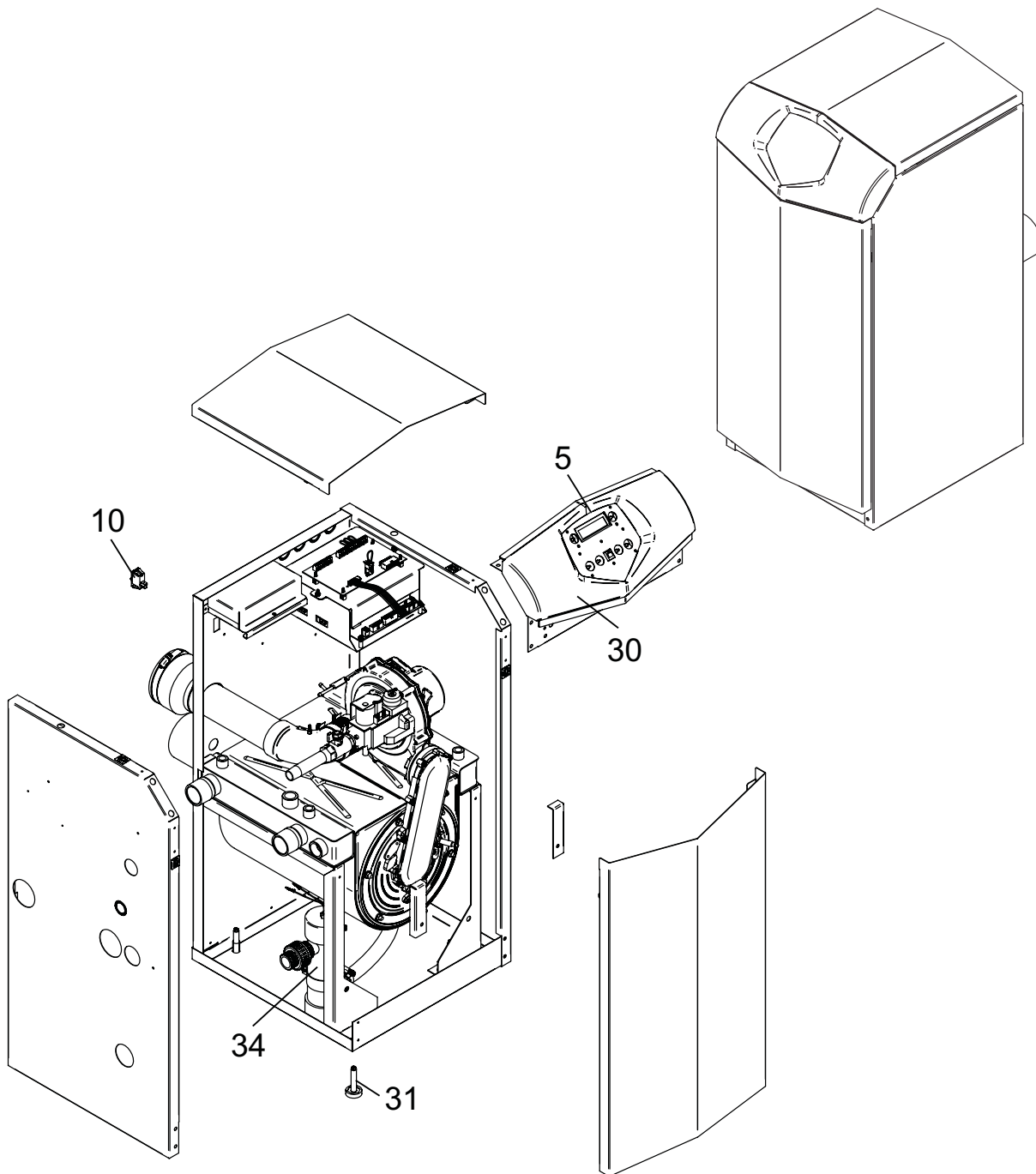




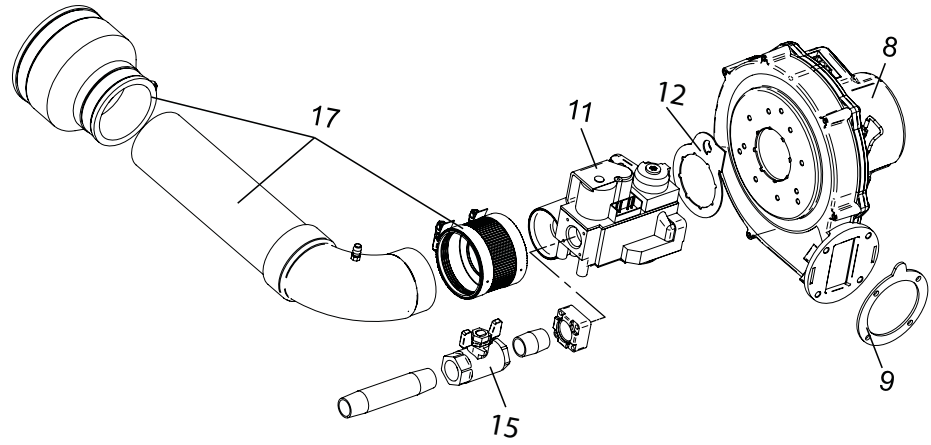
PARTS & SERVICE DEPARTMENT
Nashville, Tennessee
615-889-8900 • Fax: 615-882-2918
parts_team@lochinvar.com
www.Lochinvar.com

Replacement Parts List

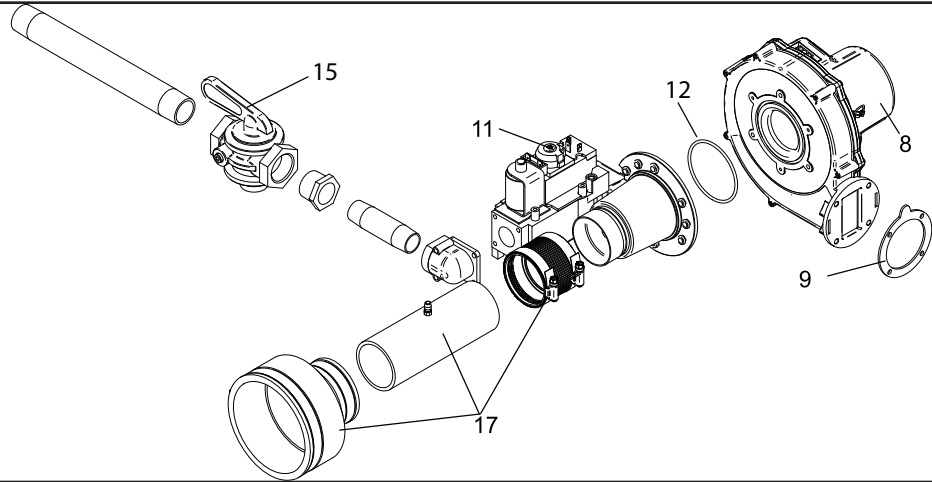
Armor Condensing Water Heater AW 150 thru 800



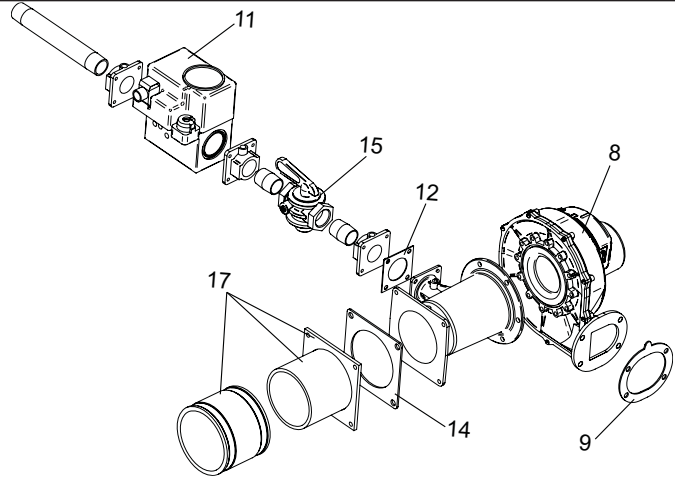
GAS TRAIN 150-285



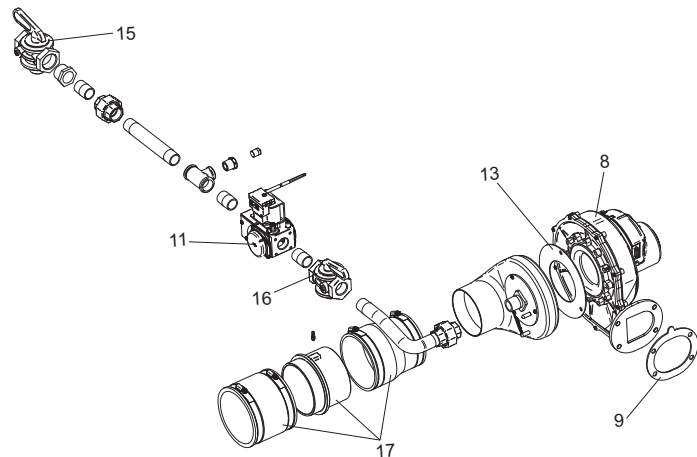
GAS TRAIN 399



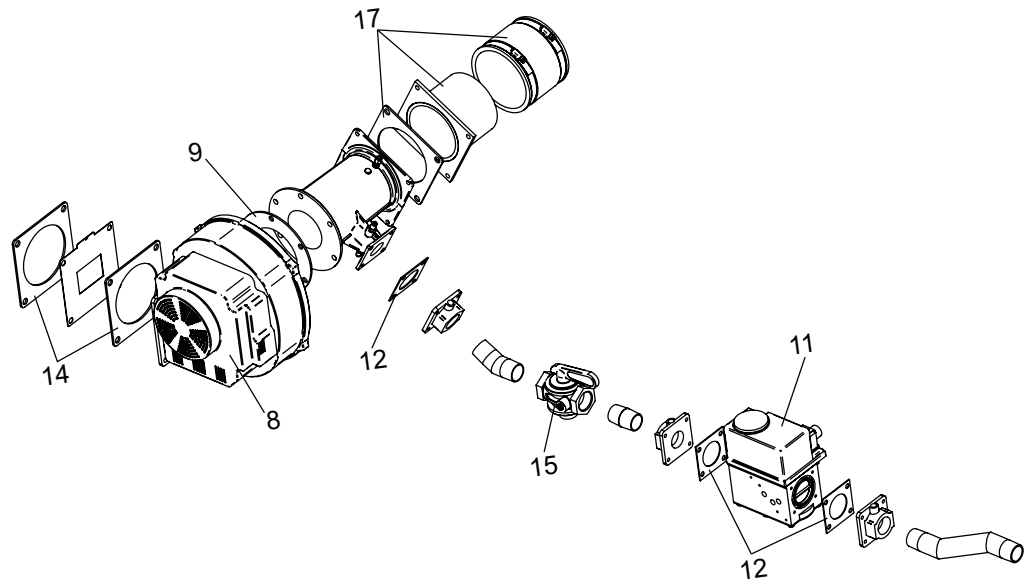
**GAS TRAIN 500
Before H07H10046461**



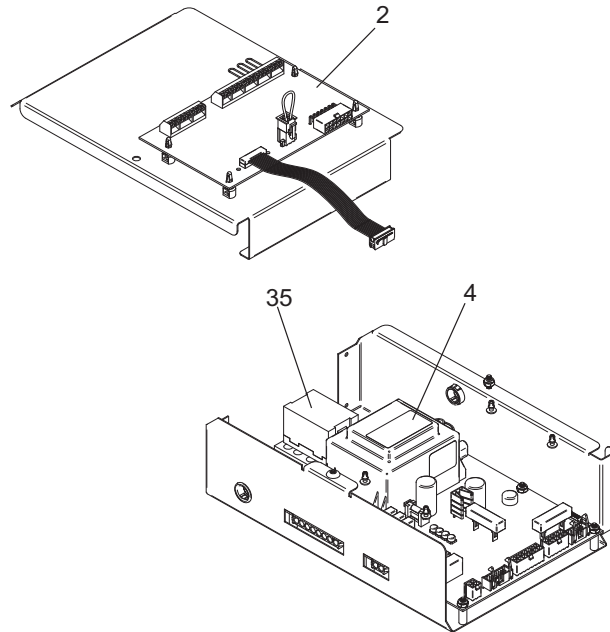
**GAS TRAIN 500
After H07H10046464**



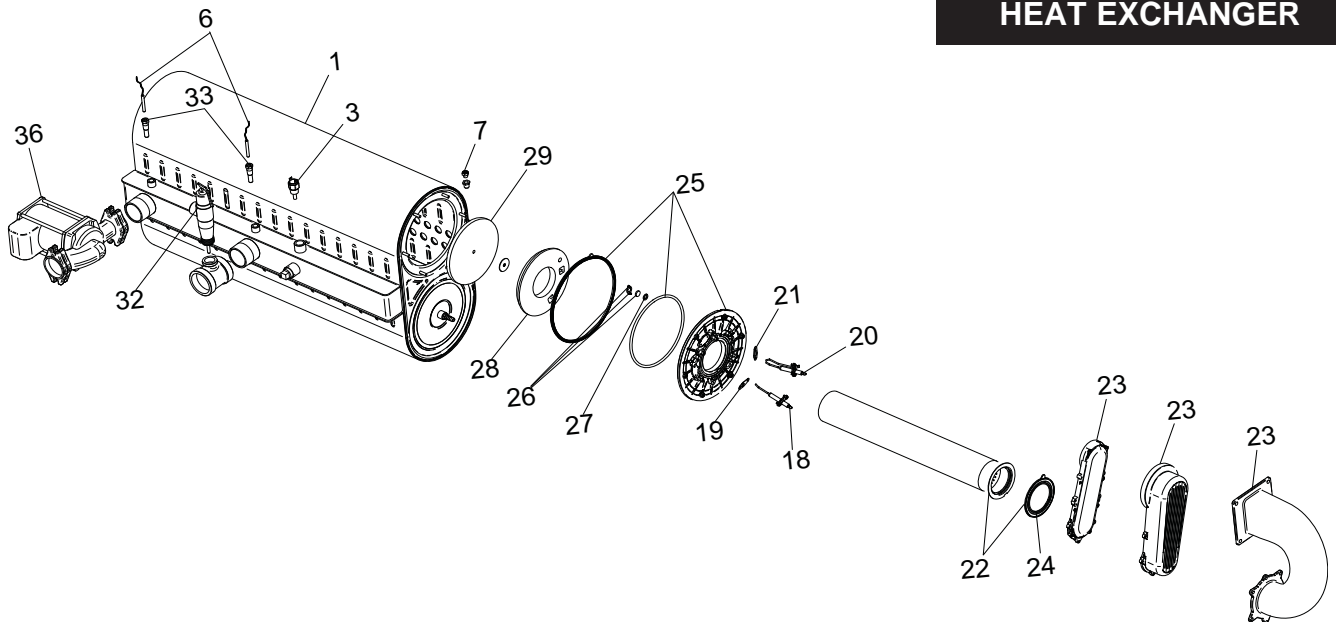
GAS TRAIN 600-800



CONTROL PANEL



HEAT EXCHANGER



ITEM NO.	PART NO.	DESCRIPTION	MODEL
HEAT EXCHANGER ASSEMBLY			
1	HEX3954	HEAT EXCHANGER	AWN150
1	HEX3955	HEAT EXCHANGER	AWN199
1	HEX3956	HEAT EXCHANGER	AWN285
1	HEX3957	HEAT EXCHANGER	AWN399
1	HEX3958	HEAT EXCHANGER	AWN500
1	HEX30004	HEAT EXCHANGER	AWN600
1	HEX30005	HEAT EXCHANGER	AWN700
1	HEX30006	HEAT EXCHANGER	AWN800
CONTROLS			
2	RLY2120	LOW VOLTAGE CONNECTION BOARD	All
3	HLC2510	HIGH LIMIT	All
4	RLY30012	INTEGRATED CONTROL	AWN150-285
4	RLY30014	INTEGRATED CONTROL	AWN399
4	RLY30016	INTEGRATED CONTROL	AWN500
4	RLY30035	INTEGRATED CONTROL	AWN600 - 800
4	RLY30023	HIGH ALTITUDE INTEGRATED CONTROL	AWN150-285
4	RLY30024	HIGH ALTITUDE INTEGRATED CONTROL	AWN399
4	RLY30025	HIGH ALTITUDE INTEGRATED CONTROL	AWN500
4	RLY30036	HIGH ALTITUDE INTEGRATED CONTROL	AWN600 - 800
5	RLY2210	USER INTERFACE CONTROL	All
6	TST2032	WATER TEMP SENSOR	All
7	RLV30000	AIR VENT VALVE	All
8	FAN3031	FAN ASSEMBLY	AWN150
8	FAN3032	FAN ASSEMBLY	AWN199
8	FAN3033	FAN ASSEMBLY	AWN285
8	FAN3035	FAN ASSEMBLY	AWN399
8	FAN3034	FAN ASSEMBLY (BEFORE H07)	AWN500
8	FAN3037	FAN ASSEMBLY (AFTER H07)	AWN500
8	FAN30001	FAN ASSEMBLY	AWN600-800
9	GKT2456	GASKET/ BLOWER	AWN199
9	GKT2436	GASKET/ BLOWER	AWN150-285-399
9	GKT2438	GASKET/ BLOWER	AWN500
10	SWT2006	ON/OFF SWITCH	All
GAS VALVES			
11	VAL3201	GAS VALVE ASSEMBLY NAT	AWN150
11	VAL3202	GAS VALVE ASSEMBLY NAT	AWN199
11	VAL3203	GAS VALVE ASSEMBLY NAT	AWN285
11	VAL3204	GAS VALVE ASSEMBLY NAT	AWN399
11	VAL3206	GAS VALVE ASSEMBLY NAT (BEFORE H07)	AWN500
11	VAL3207	GAS VALVE ASSEMBLY NAT (AFTER H07)	AWN500
11	VAL3212	GAS VALVE ASSEMBLY NAT	AWN600
11	VAL30006	GAS VALVE ASSEMBLY NAT	AWN700
11	VAL3213	GAS VALVE ASSEMBLY NAT	AWN800
11	VAL30011	GAS VALVE ASSEMBLY LP (AFTER H07)	AWL500
11	VAL30012	GAS VALVE ASSEMBLY LP	AWL600
11	VAL30013	GAS VALVE ASSEMBLY LP	AWL700
11	VAL30014	GAS VALVE ASSEMBLY LP	AWL800
12	GKT2443	GAS VALVE GASKET	AWN150-285
12	GKT2444	GAS VALVE GASKET	AWN399
12	GKT2050	GAS VALVE GASKET	AWN500-800
13	GKT2080	AIR SHROUD GASKET	AWN500
14	GKT2034	AIR INTAKE GASKET	AWN500-800
15	VAL2206	GAS CUT OFF VALVE	AWN150-199
PLEASE HAVE SERIAL NUMBER WHEN ORDERING PARTS			

ITEM NO.	PART NO.	DESCRIPTION	MODEL
GAS VALVES (CONT.)			
15	VAL2421	GAS CUT OFF VALVE	AWN285
15	GAC2029	GAS CUT OFF VALVE 1X1 (BEFORE H07H10046461 FOR AWN500)	AWN399-800
16	GAC2028	GAS CUT OFF VALVE 3/4 X 3/4 (AFTER H07H10046464)	AWN500
17	MSC3182	AIR INLET KIT	AWN150
17	MSC3183	AIR INLET KIT	AWN199
17	MSC3184	AIR INLET KIT	AWN285
17	MSC3185	AIR INLET KIT	AWN399
17	MSC3186	AIR INLET KIT (BEFORE H07H10046461 FOR AWN500)	AWN500-800
17	MSC3187	AIR INLET KIT (AFTER H07H10046464)	AWN500
PILOT & BURNER ASSEMBLIES			
18	PLT3022	FLAME SENSOR WITH GASKET	AWN150-500
18	PLT3023	FLAME SENSOR WITH GASKET	AWN600-800
19	GKT2450	FLAME SENSOR GASKET	All
20	PLT3021	IGNITER WITH GASKET	AWN150-500
20	PLT30000	IGNITER WITH GASKET	AWN600-800
21	GKT2449	IGNITER GASKET	All
22	BNR3426	BURNER W/GASKET	AWN150
22	BNR3427	BURNER W/GASKET	AWN199
22	BNR3428	BURNER W/GASKET	AWN285
22	BNR3429	BURNER W/GASKET	AWN399-500
22	BNR3432	BURNER W/ GASKET	AWN600
22	BNR3433	BURNER W/ GASKET	AWN700
22	BNR3434	BURNER W/ GASKET	AWN800
23	WTR3082	GAS/AIR ARM ASSEMBLY W/ GASKET	AWN150
23	WTR3078	GAS/AIR ARM ASSEMBLY W/ GASKET	AWN199-399
23	WTR3079	GAS/AIR ARM ASSEMBLY W/ GASKET	AWN500
23	WTR3085	GAS/AIR ARM ASSEMBLY W/GASKET	AWN600-800
24	GKT2451	BURNER GASKET	AWN150-500
24	GKT2062	BURNER GASKET	AWN600-800
25	WTR3080	HEAT EXCHANGER ACCESS DOOR KIT	AWN150-500
25	WTR3086	HEAT EXCHANGER ACCESS DOOR KIT	AWN600-800
MISCELLANEOUS			
26	MSC3180	SIGHT GLASS	ALL
27	GKT2453	SIGHT GLASS GASKET	ALL
28	FIB2168	INSULATION, BURNER PLATE DOOR	AWN150-500
28	FIB2146	INSULATION, BURNER PLATE DOOR	AWN600-800
29	FIB2167	INSULATION BAFFLE, DIVIDER PLATE	ALL
30	MSC2990	DISPLAY BEZEL	ALL
31	BLT2104	LEVELING LEG	ALL
32	RLV2016	T & P RELIEF 3/4 X 150# (BEGINNING G09H20013638)	AWN150-199
32	RLV2006	T & P RELIEF 3/4 X 150# (PRIOR TO G09H20013638)	AWN150-199
32	RLV2006	T & P RELIEF 3/4 X 150#	AWN285-399
32	RLV2017	T & P RELIEF 3/4 X 150#	AWN500-800
33	TST2044	1/4" BULBWELL	ALL
-	TST2306	3/8" BULBWELL	ALL
-	FUS2000	1.25 AMP	ALL
-	FUS2001	3.15 AMP	ALL
-	FUS2002	5 AMP	ALL
-	WTR2210	FLOW SWITCH	AWN150-199, 399-800
-	WTR2211	FLOW SWITCH	AWN285
34	MSC30048	CONDENSATE TRAP	AWN150-199
34	MSC30050	CONDENSATE TRAP	AWN285-800
35	RLY20038	RELAY, 1.5 HP PUMP	ALL

PLEASE HAVE SERIAL NUMBER WHEN ORDERING PARTS

ITEM NO.	PART NO.	DESCRIPTION	MODEL
MISCELLANEOUS (CONTINUED)			
-	SWT2011	BLOCKED DRAIN SWITCH	ALL
-	GTP2901	GAUGE TRIOMETER, 75# PSI	AWN500-800
-	TST3403	FLUE TEMP SENSOR KIT	ALL
-	KIT3086	AMRHL	ALL
-	KIT30112	ALARM BELL	ALL
-	KIT3087	NEUTRALIZER KIT	AWN150-500
-	KIT3046	NEUTRALIZER KIT	AWN600-800
-	PRS20001	PRESSURE SWITCH	AWN150/285
-	PRS20002	PRESSURE SWITCH	AWN199/399
-	PRS2052	PRESSURE SWITCH	AWN500
-	PRS2054	PRESSURE SWITCH	AWN600-800
-	LPK3946	LP CONVERSION KIT	AWN150
-	LPK3947	LP CONVERSION KIT	AWN199
-	LPK3948	LP CONVERSION KIT	AWN285
-	LPK3949	LP CONVERSION KIT	AWN399
-	LPK3950	LP CONVERSION KIT (AFTER H07H10046464 FOR AWN500)	AWN500-800
-	KIT30063	HEAT EXCHANGER CLEANING KIT	AWN150-399
-	KIT30064	HEAT EXCHANGER CLEANING KIT	AWN500-800
-	WRE20043	HARNESS, CONNECTION BOARD	ALL
-	WRE20045	HARNESS, POWER	AWN150-285
-	WRE20041	HARNESS, POWER	AWN399-800
-	WRE20050	HARNESS, RELAY	ALL
-	WRE2203	CABLE, RIBBON	AWN151-500
-	WRE2229	CABLE, RIBBON	AWN600-800
-	WRE2205	HARNESS, GAS VALVE	AWN150-285
-	WRE2206	HARNESS, GAS VALVE	AWN399
-	WRE30000	HARNESS, GAS VALVE	AWN500
-	WRE2021	HARNESS, GAS VALVE	AWN600-800
-	WRE2207	HARNESS, UNIT	AWN150, 285
-	WRE2208	HARNESS, UNIT	AWN199-285
-	WRE2232	HARNESS, UNIT	AWN399-800
-	WRE2210	HARNESS, SPARK ELECTRODE	AWN150 & 199
-	WRE2209	HARNESS, SPARK ELECTRODE	AWN285
-	WRE2200	HARNESS, SPARK ELECTRODE	AWN399 & 500
-	WRE2230	HARNESS, SPARK ELECTRODE	AWN600-800
-	WRE2211	HARNESS, FLAME SENSE ELECTRODE	ALL
PUMPS			
36	PUM3010	PUMP	AWN150-199
36	PUM3011	PUMP	AWN285
36	PUM3012	PUMP	AWN399
36	PUM30003	PUMP	AWN500-600
36	PUM30004	PUMP	AWN700-800
PLEASE HAVE SERIAL NUMBER WHEN ORDERING PARTS			

NOTES

