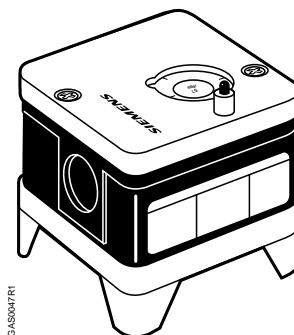


## QP Series

### Pressure Switches for Gas and Air

GAS0048R1

ISO 9001  
REGISTERED FIRM



GAS0047R1

#### Description

QP... pressure switches are used for gas and air pressure supervision on industrial and commercial burner applications.

The QPL31... series pressure switches break the electrical circuit when the pressure drops below the adjusted value.

The QPH31... series pressure switches break the electrical circuit when the pressure increases above the adjusted value.

#### Features

- UL listed for USA and Canada, FM approved, ISO 9001 certified; European approved versions available.
- Adjustable pressure range from 1 to 112 inches water column (WC).
- Automatic and manual reset models.
- Surge protected up to 15 psi.

#### Product Numbers

Table 1.

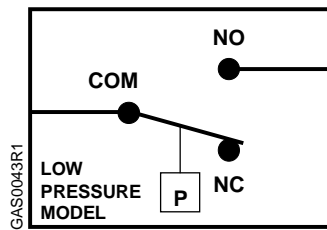
Product Number	Pressure Range		Execution
	Inches Water Column (WC)	mbar	
QPL31.050M00	1 to 20	2.5 to 50	Manual Reset Low
QPL31.140M00	7 to 55	17.5 to 137	
QPH31.050M00	2 to 20	5 to 50	Manual Reset High
QPH31.150M00	10 to 60	25 to 150	
QPL31.050A00	1 to 20	2.5 to 50	Automatic Reset Low
QPL31.075A00	5 to 30	12.5 to 75	
QPL31.280A00	28 to 112	70 to 280	
QPH31.050A00	2 to 20	5 to 50	Automatic Reset High
QPH31.090A00	5 to 35	12.5 to 87	
QPH31.280A00	28 to 112	70 to 280	

<b>Specifications</b>	Electrical rating	10A @ 125 to 250 Vac 1/3 HP @ 125 to 250 Vac
	Maximum operating pressure	6 psi (400 mbar)
	Maximum surge pressure	15 psi (1 bar) for 2 seconds
	Operating temperature	-40°F to 140°F (-40°C to 60°C)

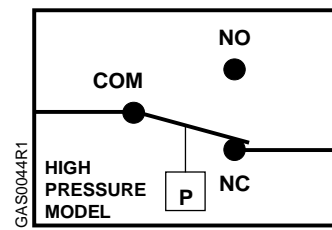
**Operation**  
**Range Adjustment** Remove the cover to adjust the pressure cut-off setting. Turn the range dial clockwise to increase the pressure setting, or counterclockwise to decrease the pressure setting.

**Manual reset models** If the yellow ring of the reset button is above the cover, the switch is in the open position and must be manually reset before continuing burner operation.

**Wiring** **NOTE:** Wiring must be performed by a licensed electrician.



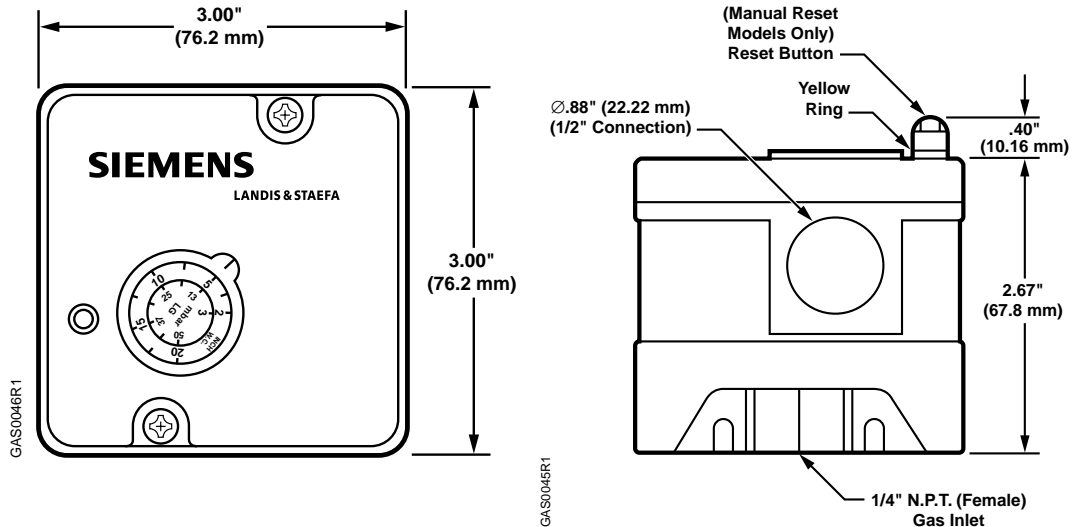
**Figure 1. Typical Wiring for Low Pressure Models.**



**Figure 2. Typical Wiring for High Pressure Models.**

- Mounting**
- All switches can be mounted in either a horizontal or vertical position.
  - All models have a 1/4-inch NPT female pressure connection on the metal base.
  - Check connections for leakage after installation.

**Dimensions**



Information in this publication is based on current specifications. The company reserves the right to make changes in specifications and models as design improvements are introduced. Other product or company names mentioned herein may be the trademarks of their respective owners.  
 © 2002 Siemens Building Technologies, Inc.